



POSITIONER | GANTRY PILLAR | SLIDER



GiraffeMotion



LizardMotion



RhinoMotion



Robital leverages its expertise in machine manufacturing to produce robotic peripheral systems aimed at enhancing the functionality, accessibility, or mobility of 6-axis robots or workpieces in industrial robotics projects, adopting a customer-focused strategy.

Offering high-quality products such as positioners, sliders, and gantry for robotic systems, **Robital** is dedicated to improving efficiency and reducing costs. By thoroughly understanding the unique requirements of each project, the company delivers tailored solutions.

With a commitment to quality service and innovation, **Robital** prioritizes the satisfaction of integrators, machine manufacturers, and specialized customers, aiming to establish strong and long-term partnerships.



Who We Are?

With the global robotics market continuously grow, the need for reliable, high-quality solutions has become essential for system integrators and end-users. **Robital** was established to answer the demand of robotic positioners by providing innovative and cost-effective solutions.

Robital's product range includes essential components for robotic welding systems, such as positioners, sliders, multi-axis gantry systems, and pillars, primarily utilized in welding and cutting applications. Operating from our modern facility spanning **6,200 m²**, we employ over 67 dedicated staff and process **3,600 tons** of raw materials annually. Our advanced systems for cutting, bending, robotic welding, and quality control ensure that our products are CE-standardized and compatible with leading robot brands.

With a growing network of dealers, integrators, and partners, **Robital** is expanding its presence in both local and export markets through our direct and indirect sales and service teams. Our commitment to continuous product innovation and development drives our mission to enhance accuracy, reduce costs, and introduce new products that meet the evolving needs of our customers.

Key Strengths:

- Proven, field-tested products
- Extensive production and engineering capabilities
- Strategic geographical location
- Competitive pricing paired with high quality
- Comprehensive sales and service support
- It is compatible with all 6-axis robot manufacturers.

Robital is fully equipped to meet your needs, having produced more than 950 systems with over 280 repeat orders.

At Robital, we specialize in developing high-quality robotic peripheral solutions designed to meet the evolving needs of robot integrators, machine builders (OEMs), and end users across a wide range of industries.

With our proprietary brands – Rhino Motion, Lizard Motion, and Giraffe Motion – we deliver precision - engineered robot positioners, sliders, and robotic gantry systems that are compatible with the world's leading industrial robot brands.

Whether you're building complex automation cells, enhancing production lines, or seeking dependable robotic motion solutions, Robital is your trusted partner. Our products combine reliability, flexibility, and innovation – ensuring seamless integration, optimal performance, and long-term value.

Values

People: We believe that our greatest asset is our people. Our dedicated team is committed to delivering exceptional service and innovative solutions, ensuring customer satisfaction at every step.

Sustainability: We are dedicated to sustainability, prioritizing environmentally friendly practices in our designs and operations. Our commitment to reducing our ecological footprint reflects our responsibility to the planet and future generations.

Excellence: We strive for excellence in all our products and services. By maintaining the highest quality standards, we ensure reliability and performance in every solution we provide.

Value: We focus on delivering exceptional value to our customers. Our solutions not only enhance efficiency but also provide significant cost savings, ensuring a strong return on investment.

Innovation: Innovation is one of our core values. With our research, development, and design team, Robital continues to develop and commercialize new solutions for your integration projects.

Together, these values form the foundation of **Robital**, guiding us towards a successful and sustainable future.

Team

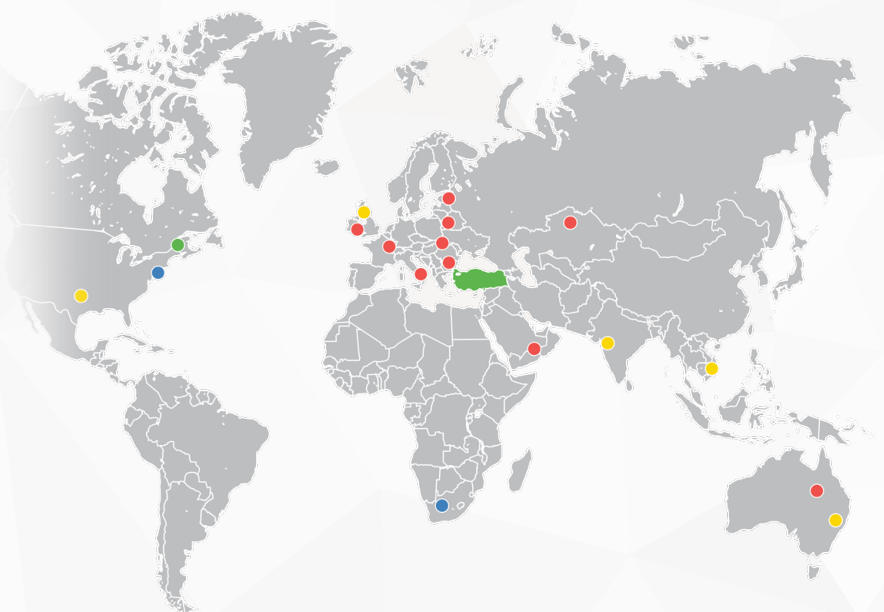
Qualified Labor Force

2014 **+30** **+40**
Foundation Engineers Staff

“ Building ‘Robital’ Together! ”

At Robital, we pride ourselves on a collaborative environment where our 80+ dedicated staff work seamlessly to achieve our goals. With over 30 engineers, representing more than 47% of our workforce, we demonstrate our commitment to quality and expertise.

This strong engineering presence ensures that our innovative solutions are backed by deep technical knowledge and industry experience.



Our Workflow Process

■ Requirements Analysis

In this initial phase, we engage with our clients to conduct a comprehensive analysis of their requirements.

■ Research and Development

This phase focuses on innovating new solutions that align with market needs and enhance our product offerings.

■ Planning

A comprehensive project plan is developed, outlining timelines, resources, and budgets. This phase ensures that all stakeholders are aligned and prepared for the subsequent steps in the workflow.

■ Design

Once the requirements are clearly defined, our team creates detailed designs. This includes developing technical specifications, 3D models, and simulations to ensure feasibility and effectiveness.

■ Assembly

After manufacturing, components are carefully assembled into the final product. The team ensure that each unit is built according to specifications, with a focus on functionality and durability.

■ Manufacturing

Utilizing advanced machinery and techniques, we begin the manufacturing process. This stage emphasizes precision and efficiency, ensuring that all components are produced to the highest quality standards.

■ Packing

Once testing is complete, products are packed to prevent damage during transit. We ensure that all packaging complies with safety and environmental standards.

■ Testing

Strict testing protocols are employed to evaluate the performance and reliability of the products. This phase includes quality assurance checks to guarantee that our solutions meet industry standards.

■ After Sales Support

At Robital, our commitment to our customers extends far beyond the initial purchase. Our After Sales Support is designed to ensure that our clients receive ongoing assistance and guidance long after their solutions have been delivered.

■ Delivery

Finally, we coordinate the delivery of our products to clients. Our logistics team ensures timely and efficient transportation, allowing our customers to receive their solutions when they need them.

..... ■ We offer comprehensive support services, including technical assistance from our expert team to resolve any queries, Regular maintenance programs to keep your robotic solutions in top condition, and tailored training sessions for your staff to enhance product usage. Additionally, We actively seek client feedback to continuously improve our offerings and ensure we meet your expectations. ■

“Tailored Solutions for Every Automation Journey”

Customization to Fit Your Needs

For the robot you use

Our products are designed to seamlessly integrate with the robotic systems you already have in place, ensuring compatibility and ease of use.

In the color you wish

Choose from a variety of colors to match your brand identity or project requirements, allowing for a personalized touch.

Universally compatible

Robital solutions are crafted to be universally compatible with leading robotic brands, providing flexibility and versatility in your automation setup.

With your own branding

We offer the option to customize our products with your own branding, enhancing your company's identity and visibility.

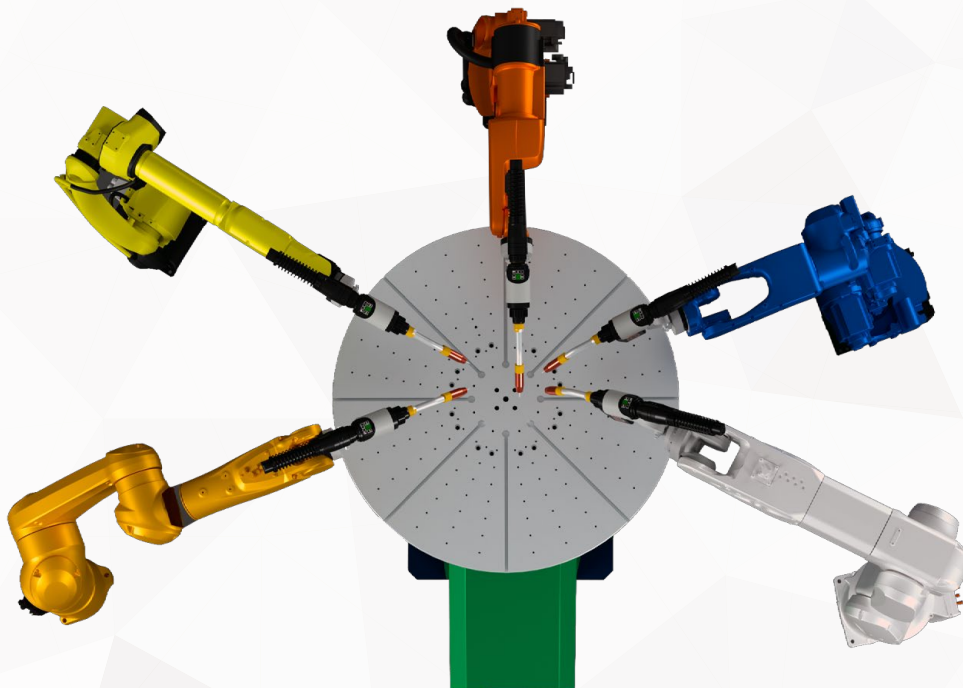
Additional options

Explore a range of additional features and accessories that can be incorporated to tailor our solutions further to your specific needs.

Customized designs

Our team can work with you to create bespoke designs that meet your unique specifications, ensuring that you get exactly what you envision.

COMPATIBLE WITH ALL INDUSTRIAL ROBOT BRANDS



Industries

Automotive

We offer robotic peripheral solutions specifically designed for welding applications in the automotive industry. With our positioners that can rotate car chassis, slider systems and fixture designs to provide access to large parts, we offer our customers to increase efficiency in automotive production processes and ensure the precision of welding processes.

Maritime

We offer robotic peripheral solutions specially designed for welded applications in the shipyard and shipping industry. With portal gantry systems, we provide solutions for welding parts that require high weld penetration. We offer to increase productivity in production processes and ensure the precision of welding processes.

Railways

We manufacture robotic peripherals specially designed for welded applications in the wagon industry and positioners capable of turning heavy parts. By combining our high technology and engineering expertise, we offer innovative and efficient solutions for the needs of this strategic sector.

Energy

The energy sector is a field full of high efficiency and safety requirements, and in this context, the use of robotic peripherals is of great importance. Especially in turbine production, the use of robotic peripherals both speeds up the production process and improves quality. By combining our expertise with our products specially designed for applications in the energy sector, we offer innovative and effective solutions for the needs of this strategic sector.





Trailer

Trailer manufacturing is a process that requires high durability and safety; therefore, chassis welding must be carried out with great care and precision. In this context, fixtures and robotic peripherals play a critical role in improving the quality and efficiency of welding processes. With our experience in the trailer industry, we offer innovative and effective solutions for the needs in this dynamic sector. We produce positioners with high carrying capacity for welding long and heavy trailer chassis. Our aim is to increase the efficiency of trailer production processes and to ensure the accuracy of welding processes.

Pressure Vessel

In the pressure vessel industry, sealing is critical for safety and performance. Therefore, the precision and quality of welding processes play a vital role to fulfill the basic requirements of the industry. This is where the importance of specially designed robotic peripherals comes into play. Positioners ensure that workpieces are fixed at the correct angles and positions, minimising errors that can occur during the welding process. In this way, they increase the reliability of pressure vessels and ensure their long-term durability.

Defense and Aerospace

The defence and aerospace industry is a critical sector that requires high safety and durability standards. In this context, for instance, welding the chassis of armoured vehicles is of great importance for the overall performance and safety of the vehicles. Robotic peripherals significantly improve the quality of welding processes by increasing automation and precision in welding armoured vehicle chassis. Positioners ensure that the chassis are fixed at the correct angles and positions, while robotic systems increase the consistency of the welding process. In this way, the quality and durability of the weld seams are increased and the safety levels of armoured vehicles are increased. We prioritise customer satisfaction and product quality by offering reliable and effective robotic solutions in the processes of welding armoured vehicle chassis in the defence industry.

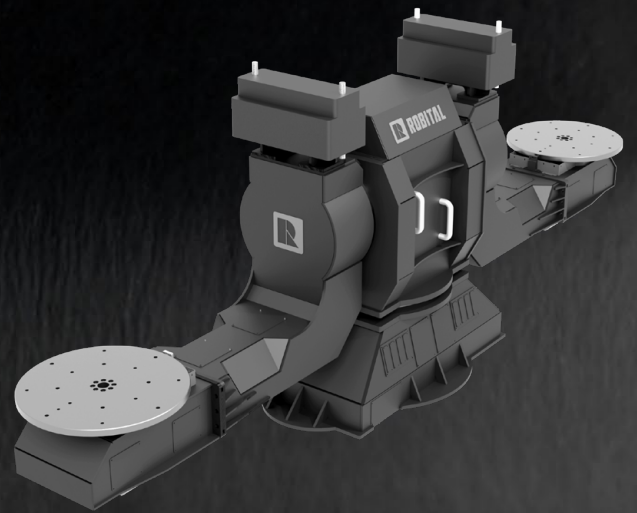


RhinoMotion Strong/Accurate/Flexible Robotics Positioners

RhinoMotion robotic positioners are inspired by the strength and resilience of rhinoceroses. They provide robust and flexible motion capabilities, featuring high load capacities, durable structures, and versatile configurations ranging from single-axis to six-axis designs.

Ideal for heavy-duty operations, RhinoMotion ensures the balance and strength required to transport large loads with exceptional precision. Optimized to handle load capacities from 500 kg to 100 tons and achieving precision levels as fine as 0.05 mm, RhinoMotion is compatible with all major robot brands.

Seamlessly integrating with all well-known robot brands, RhinoMotion is designed to be a long-term, reliable partner in industrial robotic applications such as welding, cutting, and machining. Its adaptability and robust performance make it the ultimate solution for demanding projects.



GiraffeMotion High-Reach/High-Accuracy Gantry Robots

GiraffeMotion gantry robots are inspired by the long and adaptable neck of a giraffe. When industrial robots are integrated with gantry systems, they gain exceptional reach capabilities in Cartesian coordinates (XYZ axes) and vertical flexibility. Perfect for applications requiring high accessibility and precise positioning, GiraffeMotion enables efficient operation even in demanding heavy-industrial environments. Our modular gantry robots offer reach lengths of up to 200 meters.

They are the ideal and reliable partners for applications such as welding and cutting, where robots are inverted and suspended from the gantry system.





LizardMotion
*Agile/Precise Cold-Blooded
Robot Sliders*



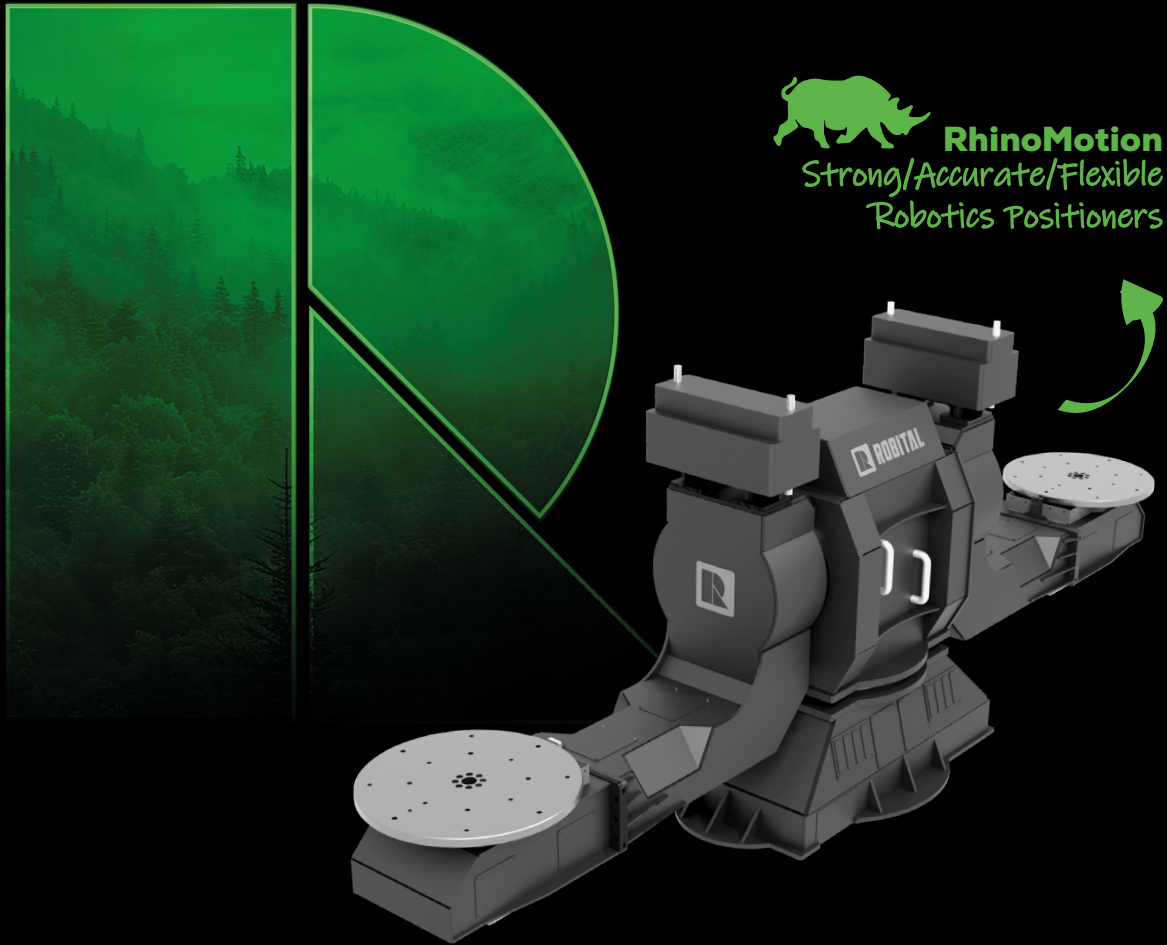
LizardMotion robotic sliders are designed for flexible and versatile motion, mimicking the agility and precision of a lizard. They are ideal for applications requiring fine adjustments and adaptability, offering seamless positioning with a repeatability of 0.05 mm.

LizardMotion excels at extending the linear reach of industrial robots and mobilizing them effectively. It delivers agile performance in tasks where quick directional changes are crucial. With a payload capacity ranging from 500 kg to 5000 kg, combined with its speed, agility, and high repeatability, LizardMotion is the perfect partner for your robotic projects.



EXTERNAL AXIS SOLUTIONS
THAT DRIVE
PRECISION, REACH, FLEXIBLE
FOR EVERY ROBOTICS MOVE





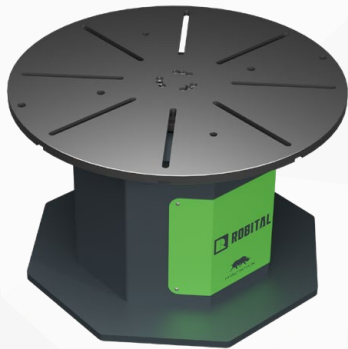
RhinoMotion
Strong/Accurate/Flexible
Robotics Positioners

Designs Inspired by Nature

RhinoMotion robotic positioners are inspired by the strength and resilience of rhinoceroses. They provide robust and flexible motion capabilities, featuring high load capacities, durable structures, and versatile configurations ranging from single-axis to six-axis designs.

Ideal for heavy-duty operations, RhinoMotion ensures the balance and strength required to transport large loads with exceptional precision. Optimized to handle load capacities from 500 kg to 100 tons and achieving precision levels as fine as 0.05 mm, RhinoMotion is compatible with all major robot brands.

Seamlessly integrating with all well-known robot brands, RhinoMotion is designed to be a long-term, reliable partner in industrial robotic applications such as welding, cutting, and machining. Its adaptability and robust performance make it the ultimate solution for demanding projects.



RP Series Key Properties:

- Compact and Space-Efficient Design
- Continuous 360° Rotation
- Extended Operational Lifespan

Rotary Robotic positioners can be manufactured according to adjustable workpiece dimensions and payload requirements.

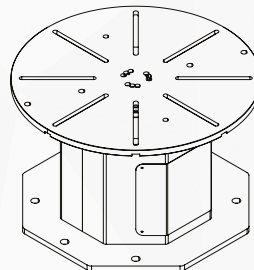
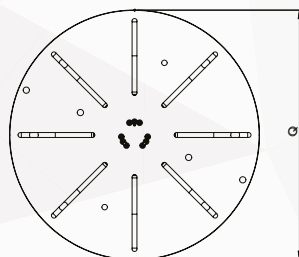
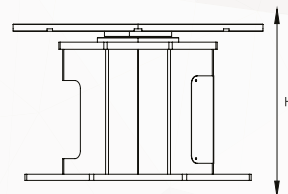
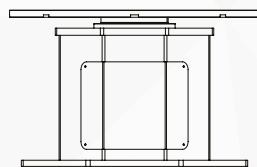
TECHNICAL SPECIFICATIONS

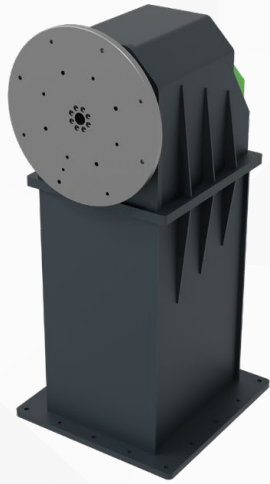
Size	Capacity (kg)	Turning Diameter	Shaft Information	Rotational Axis Max. Velocity (RPM)	Allowable Inertia (kgm ²)	Robot Drive Group
Xsmall	500	Q750, Q1000	Ssh, Hsh	30	100	OPTIONS
Small	1000	Q750, Q1000, Q1500, Q2000, Q2500	Ssh, Hsh	15	1000	OPTIONS
Small	2500	Q750, Q1000, Q1500, Q2000, Q2500	Ssh, Hsh	10	3000	OPTIONS
Medium	5000	Q750, Q1000, Q1500, Q2000, Q2500, Q3000, Q4000	Hsh	7,5	15000	OPTIONS
Medium	7500	Q750, Q1000, Q1500, Q2000, Q2500, Q3000, Q4000	Hsh	7,5	22500	OPTIONS
Large	10000	Q750, Q1000, Q1500, Q2000, Q2500, Q3000, Q4000	Hsh	6	30000	OPTIONS
Large	15000	Q750, Q1000, Q1500, Q2000, Q2500, Q3000, Q4000	Hsh	6	40000	OPTIONS
Xlarge	20000	Q750, Q1000, Q1500, Q2000, Q2500, Q3000, Q4000 Q5000	Hsh	4	55000	OPTIONS
Xlarge	30000	Q750, Q1000, Q1500, Q2000, Q2500, Q3000, Q4000 Q5000	Hsh	4	85000	OPTIONS
2Xlarge	40000	Q750, Q1000, Q1500, Q2000, Q2500, Q3000, Q4000 Q5000	Hsh	3,5	125000	OPTIONS
3Xlarge	60000	Q750, Q1000, Q1500, Q2000, Q2500, Q3000, Q4000 Q5000	Hsh	3,5	150000	OPTIONS

*2 SSH: Solid Shaft HSH: Hollow Shaft

*3 Alphabetical order list

AB: ABB, CO: COMAU, FA: FANUC, HY: HYUNDAI, KA: KAWASAKI, KU: KUKA, NA: NACHI, OT: OTC, PA: PANASONIC, ST: STAUBLI, YA: YASKAWA, XX: OTHER SERVO MOTOR





HeadStock Series Key Properties:

- Compact and Space-Efficient Design
- Continuous 360° Rotation
- Extended Operational Lifespan

At Robital, we produce HeadStock Robotic Positioners according to adjustable workpiece dimensions and payload requirements.

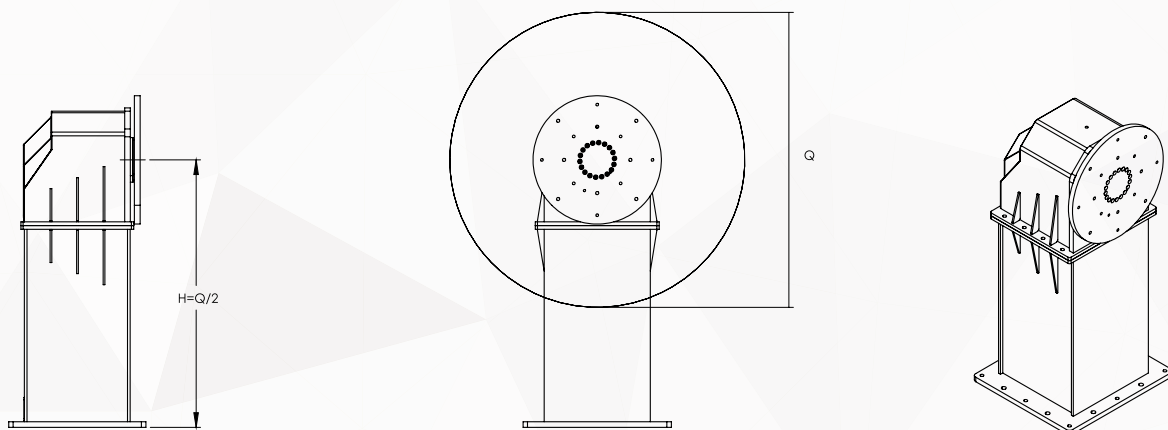
TECHNICAL SPECIFICATIONS

Size	Capacity (kg)	Turning Diameter	Shaft Information	Rotational Axis Max. Velocity (RPM)	Allowable Inertia (kgm ²)	Robot Drive Group
Xsmall	500	Q500, Q750, Q1000	Ssh, Hsh	30	300	OPTIONS
Small	1000	Q750, Q1000, Q1250, Q1500	Ssh, Hsh	15	1750	OPTIONS
Small	2500	Q750, Q1000, Q1250, Q1500	Ssh, Hsh	10	2750	OPTIONS
Medium	5000	Q750, Q1000, Q1250, Q1500, Q1750	Hsh	7,5	8000	OPTIONS
Medium	7500	Q750, Q1000, Q1250, Q1500, Q1750	Hsh	7,5	12500	OPTIONS
Large	10000	Q750, Q1000, Q1250, Q1500, Q175, Q2000	Hsh	6	22500	OPTIONS
Large	15000	Q750, Q1000, Q1250, Q1500, Q175, Q2000	Hsh	6	40000	OPTIONS
Xlarge	20000	Q750, Q1000, Q1250, Q1500, Q1750, Q2000, Q2500, Q3000	Hsh	4	55000	OPTIONS
Xlarge	30000	Q750, Q1000, Q1250, Q1500, Q1750, Q2000, Q2500, Q3000	Hsh	4	77500	OPTIONS
2Xlarge	40000	Q750, Q1000, Q1250, Q1500, Q1750, Q2000, Q2500, Q3000, Q4000	Hsh	3,5	110000	OPTIONS
2Xlarge	60000	Q750, Q1000, Q1250, Q1500, Q1750, Q2000, Q2500, Q3000, Q4000	Hsh	3,5	120000	OPTIONS

*2 SSH: Solid Shaft HSH: Hollow Shaft

*3 Alphabetical order list

AB: ABB, CO: COMAU, FA: FANUC, HY: HYUNDAI, KA: KAWASAKI, KU: KUKA, NA: NACHI, OT: OTC, PA: PANASONIC, ST: STAUBLI, YA: YASKAWA, XX: OTHER SERVO MOTOR





TH Series Key Properties:

- ▣ Adjustable Working Range
- ▣ Durable for Extended Use
- ▣ High-Precision Positioning

The TH Series are positioners with one horizontal axis. High precision synchronous positioners are used in applications such as welding, and assembly which may require flexible positioning of workpieces.

TECHNICAL SPECIFICATIONS

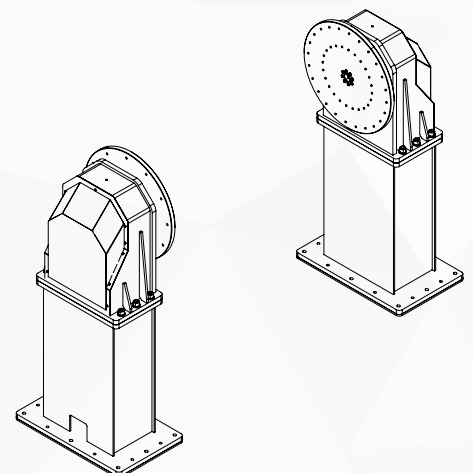
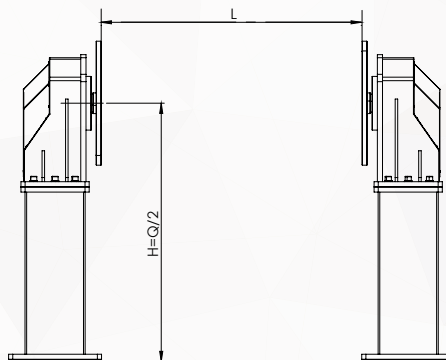
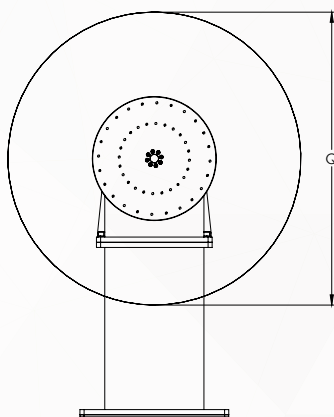
Size	Capacity (kg)	*1Drive Tech Pieces	Turning Diameter	*2Shaft Information	Rotational Axis Max. Velocity (RPM)	Drive Group Code	Allowable Inertia (kgm ²)	Tork Rotary (Nm)
Xsmall	500	SD	Q750, Q1000, Q1500, Q2000, Q2500	Ssh, Hsh	30	OPTIONS	300	780
Small	1000	SD, DD	Q750, Q1000, Q1500, Q2000, Q2500	Ssh, Hsh	15	OPTIONS	1750	1750
Small	2500	SD, DD	Q750, Q1000, Q1500, Q2000, Q2500	Ssh, Hsh	10	OPTIONS	2750	4100

*1 SD: Single Drive DD: Double Drive

*2 SSH: Solid Shaft HSH: Hollow Shaft

*3 Alphabetical order list

AB: ABB, CO: COMAU, FA: FANUC, HY: HYUNDAI, KA: KAWASAKI, KU: KUKA, NA: NACHI, OT: OTC, PA: PANASONIC, ST: STAUBLI, YA: YASKAWA, XX: OTHER SERVO MOTOR





TH Series Key Properties:

- ▣ Adjustable Working Range
- ▣ Durable for Extended Use
- ▣ High-Precision Positioning

The TH Series are positioners with one horizontal axis. High precision synchronous positioners are used in applications such as welding, and assembly which may require flexible positioning of workpieces.

TECHNICAL SPECIFICATIONS

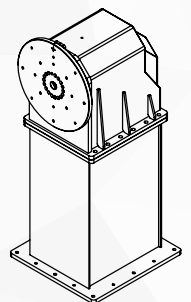
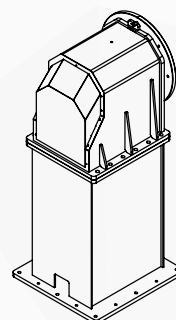
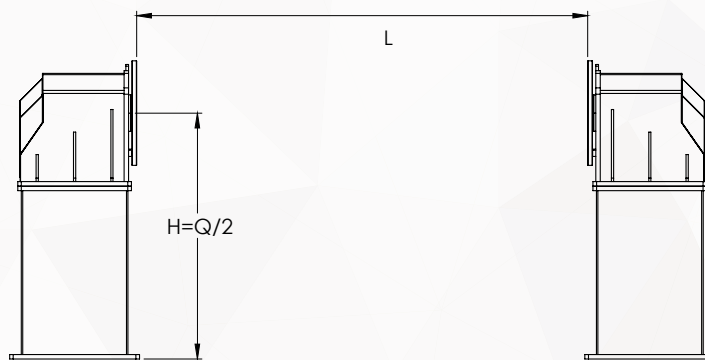
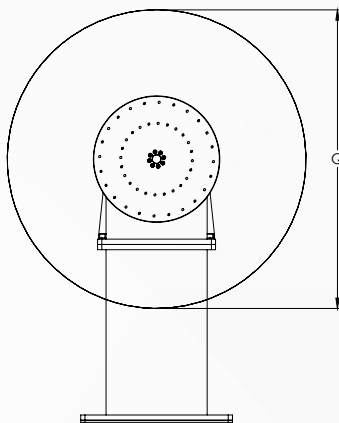
Size	Capacity (kg)	*1Drive Option Shortcode	Turning Diameter	*2Shaft Information	Rotational Axis Max. Velocity (RPM)	Drive Group Code	Allowable Inertia (kgm ²)	Tork Rotary (Nm)
Medium	5000	SD, DD	Q750, Q1000, Q1500, Q2000, Q2500	Hsh	7,5	OPTIONS	8000	9000
Medium	7500	SD, DD	Q750, Q1000, Q1500, Q2000, Q2500	Hsh	7,5	OPTIONS	8000	9000

*1 SD: Single Drive DD: Double Drive

*2 SSH: Solid Shaft HSH: Hollow Shaft

*3 Alphabetical order list

AB: ABB, CO: COMAU, FA: FANUC, HY: HYUNDAI, KA: KAWASAKI, KU: KUKA, NA: NACHI, OT: OTC, PA: PANASONIC, ST: STAUBLI, YA: YASKAWA, XX: OTHER SERVO MOTOR





TH Series Key Properties:

- ▣ Adjustable Working Range
- ▣ Durable for Extended Use
- ▣ High-Precision Positioning

The TH Series are positioners with one horizontal axis. High precision synchronous positioners are used in applications such as welding, and assembly which may require flexible positioning of workpieces.

TECHNICAL SPECIFICATIONS

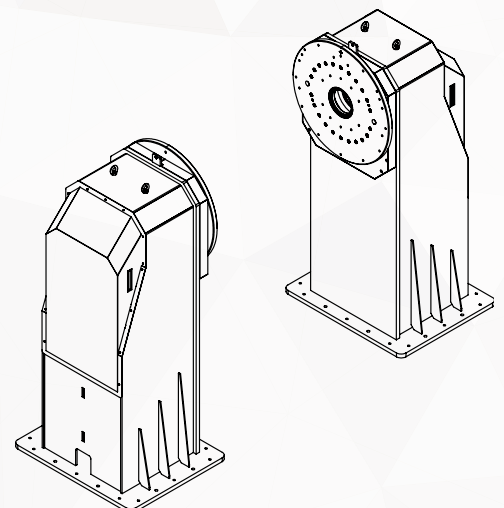
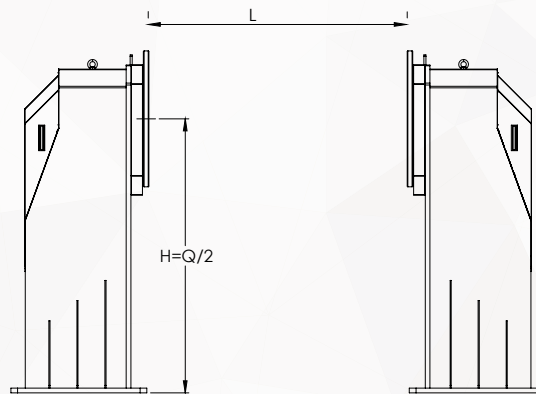
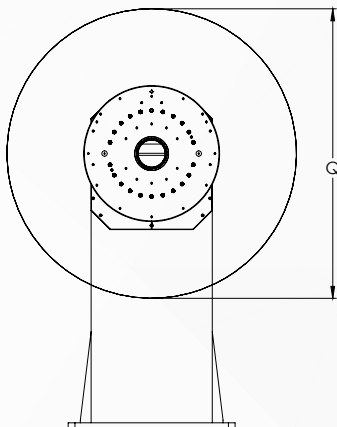
Size	Capacity (kg)	*1Drive Option Shortcode	Turning Diameter	*2Shaft Information	Rotational Axis Max. Velocity (RPM)	Drive Group Code	Allowable Inertia (kgm ²)	Tork Rotary (Nm)
Large	10000	SD, DD	Q1000, Q1500, Q2000, Q2500, Q3000, Q3500	Hsh	6	OPTIONS	22500	19000
Large	15000	SD, DD	Q1000, Q1500, Q2000, Q2500, Q3000, Q3500	Hsh	6	OPTIONS	40000	29000

*1 SD: Single Drive DD: Double Drive

*2 SSH: Solid Shaft HSH: Hollow Shaft

*3 Alphabetical order list

AB: ABB, CO: COMAU, FA: FANUC, HY: HYUNDAI, KA: KAWASAKI, KU: KUKA, NA: NACHI, OT: OTC, PA: PANASONIC, ST: STAUBLI, YA: YASKAWA, XX: OTHER SERVO MOTOR





TH Series Key Properties:

- ▣ Adjustable Working Range
- ▣ Durable for Extended Use
- ▣ High-Precision Positioning

The TH Series are positioners with one horizontal axis. High precision synchronous positioners are used in applications such as welding, and assembly which may require flexible positioning of workpieces.

TECHNICAL SPECIFICATIONS

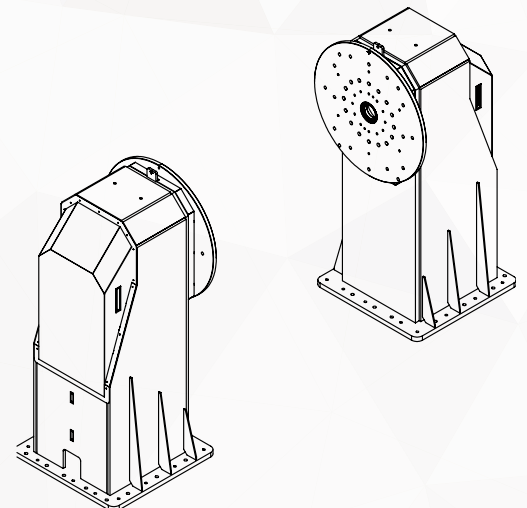
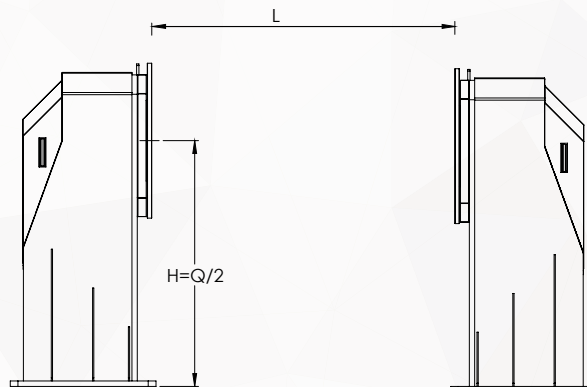
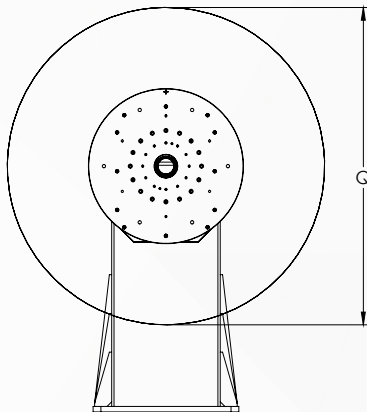
Size	Capacity (kg)	*1Drive Tech Pieces	Turning Diameter	*2Shaft Information	Rotational Axis Max. Velocity (RPM)	Drive Group Code	Allowable Inertia (kgm ²)	Tork Rotary (Nm)
Xlarge	20000	SD,DD	Q2000, Q2500, Q3000, Q3500, Q4000, Q4500	Hsh	4	OPTIONS	55000	38000
Xlarge	30000	SD,DD	Q2000, Q2500, Q3000, Q3500, Q4000, Q4500	Hsh	4	OPTIONS	77500	57000

*1 SD: Single Drive DD: Double Drive

*2 SSH: Solid Shaft HSH: Hollow Shaft

*3 Alphabetical order list

AB: ABB, CO: COMAU, FA: FANUC, HY: HYUNDAI, KA: KAWASAKI, KU: KUKA, NA: NACHI, OT: OTC, PA: PANASONIC, ST: STAUBLI, YA: YASKAWA, XX: OTHER SERVO MOTOR





TH Series Key Properties:

- ▣ Adjustable Working Range
- ▣ Durable for Extended Use
- ▣ High-Precision Positioning

The TH Series are positioners with one horizontal axis. High precision synchronous positioners are used in applications such as welding, and assembly which may require flexible positioning of workpieces.

TECHNICAL SPECIFICATIONS

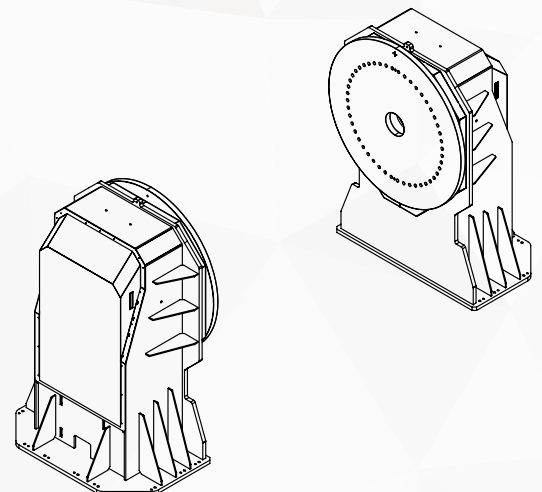
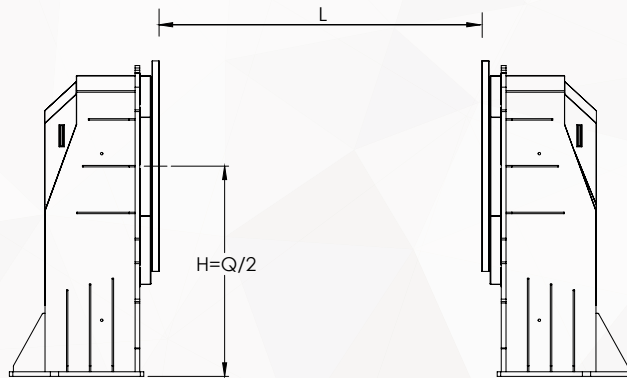
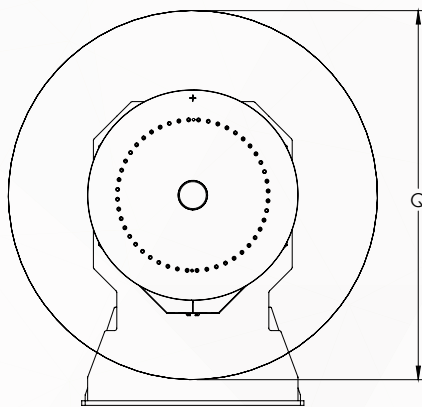
Size	Capacity (kg)	*1Drive Option Shortcode	Turning Diameter	*2Shaft Information	Rotational Axis Max. Velocity (RPM)	Drive Group Code	Allowable Inertia (kgm ²)	Tork Rotary (Nm)
2Xlarge	40000	DD	Q2000, Q2500, Q3000, Q3500, Q4000, Q4500	Hsh	3,5	OPTIONS	110000	77000
2Xlarge	50000	DD	Q2000, Q2500, Q3000, Q3500, Q4000, Q4500	Hsh	3,5	OPTIONS	120000	87500

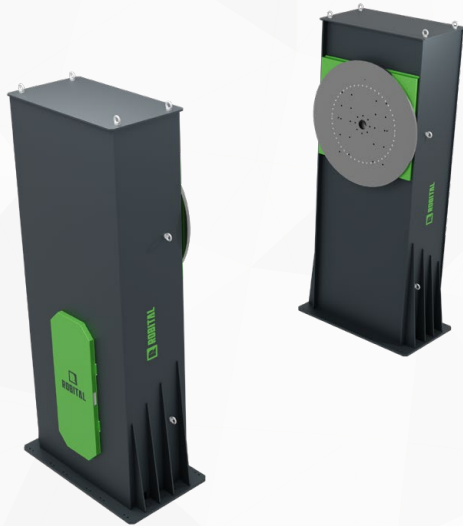
*1 SD: Single Drive DD: Double Drive

*2 SSH: Solid Shaft HSH: Hollow Shaft

*3 Alphabetical order list

AB: ABB, CO: COMAU, FA: FANUC, HY: HYUNDAI, KA: KAWASAKI, KU: KUKA, NA: NACHI, OT: OTC, PA: PANASONIC, ST: STAUBLI, YA: YASKAWA, XX: OTHER SERVO MOTOR





TH Series Key Properties:

- ▣ Adjustable Working Range
- ▣ Durable for Extended Use
- ▣ High-Precision Positioning

The TH Series are positioners with one horizontal axis. High precision synchronous positioners are used in applications such as welding, and assembly which may require flexible positioning of workpieces.

TECHNICAL SPECIFICATIONS

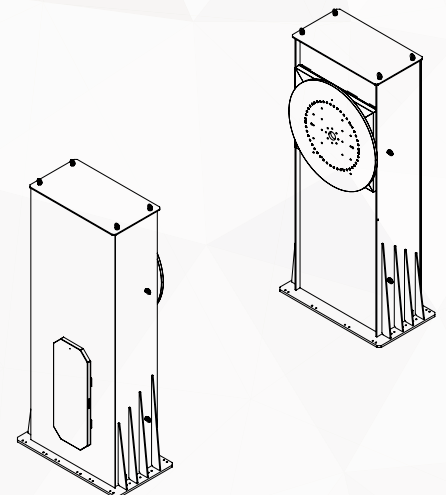
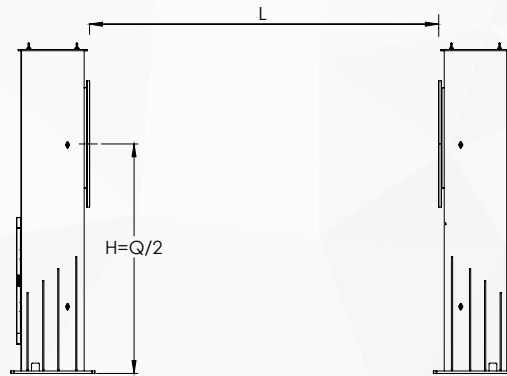
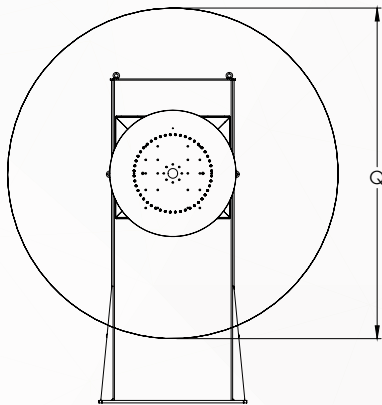
Size	Capacity (kg)	*1Drive Tech Pieces	Turning Diameter	*2Shaft Information	Rotational Axis Max. Velocity (RPM)	Drive Group Code	Allowable Inertia (kgm ²)	Tork Rotary (Nm)
3Xlarge	60000	DD	Q2000, Q2500, Q3000, Q3500, Q4000, Q4500	Hsh	1,5	OPTIONS	150000	110000

*1 SD: Single Drive DD: Double Drive

*2 SSH: Solid Shaft HSH: Hollow Shaft

*3 Alphabetical order list

AB: ABB, CO: COMAU, FA: FANUC, HY: HYUNDAI, KA: KAWASAKI, KU: KUKA, NA: NACHI, OT: OTC, PA: PANASONIC, ST: STAUBLI, YA: YASKAWA, XX: OTHER SERVO MOTOR





THZ Series Key Properties:

- Infinite Rotational Capability
- High-Precision Positioning

THZ is a robotic positioner featuring one horizontal and one vertical axis, designed for welding applications requiring synchronized motion to handle complex workpieces with precision, stability, and improved weld quality.

TECHNICAL SPECIFICATIONS

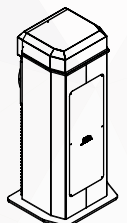
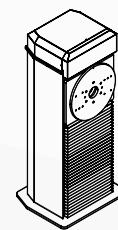
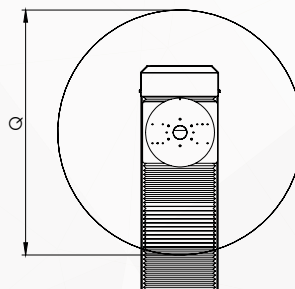
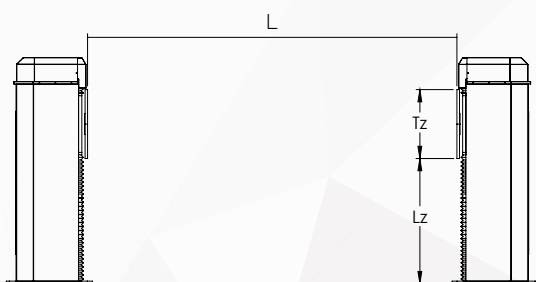
Size	Capacity (kg)	*1Drive Tech Pieces	Turning Diameter	*2Shaft Information	Rotational Axis Max. Velocity (RPM)	Z Axis Max. Velocity (mm/s)	Drive Group Code	Allowable Inertia (kgm ²)	Tork Rotary (Nm)
Small	1000	SD,DD	Q750, Q1000, Q1500, Q2000, Q2500	Ssh, Hsh	15	20	OPTIONS	1750	1750
Small	2500	SD,DD	Q750, Q1000, Q1500, Q2000, Q2500	Ssh, Hsh	10	15	OPTIONS	2750	4100
Medium	5000	SD,DD	Q750, Q1000, Q1500, Q2000, Q2500	Hsh	7,5	10	OPTIONS	8000	9000
Medium	7500	SD,DD	Q750, Q1000, Q1500, Q2000, Q2500	Hsh	7,5	8	OPTIONS	12500	13000
Large	10000	SD,DD	Q1000, Q1500, Q2000, Q2500, Q3000, Q3500	Hsh	6	5	OPTIONS	22500	19000
Large	15000	SD,DD	Q1000, Q1500, Q2000, Q2500, Q3000, Q3500	Hsh	6	3	OPTIONS	40000	29000
Xlarge	20000	SD,DD	Q2000, Q2500, Q3000, Q3500, Q4000, Q4500	Hsh	4	3	OPTIONS	55000	38000
Xlarge	30000	DD	Q2000, Q2500, Q3000, Q3500, Q4000, Q4500	Hsh	4	2,5	OPTIONS	77500	57000
2Xlarge	40000	DD	Q2000, Q2500, Q3000, Q3500, Q4000, Q4500	Hsh	3,5	2	OPTIONS	110000	77000

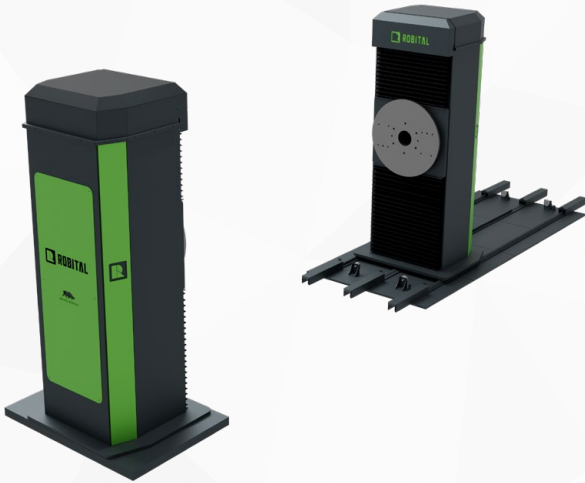
*1 SD: Single Drive DD: Double Drive

*2 SSH: Solid Shaft HSH: Hollow Shaft

*3 Alphabetical order list

AB: ABB. CO: COMAU. FA: FANUC. HY: HYUNDAI. KA: KAWASAKI. KU: KUKA. NA: NACHI. OT: OTC. PA: PANASONIC. ST: STAUBLI. YA: YASKAWA. XX: OTHER SERVO MOTOR





THZL Series Key Properties:

- Adjustable Working Range
- Durable for Extended Use
- High-Precision Positioning

THZL Robotic Positioners has one horizontal and one vertical axis. They are also enables the operator to slide the tailstock for adjusting different workpieces.

TECHNICAL SPECIFICATIONS

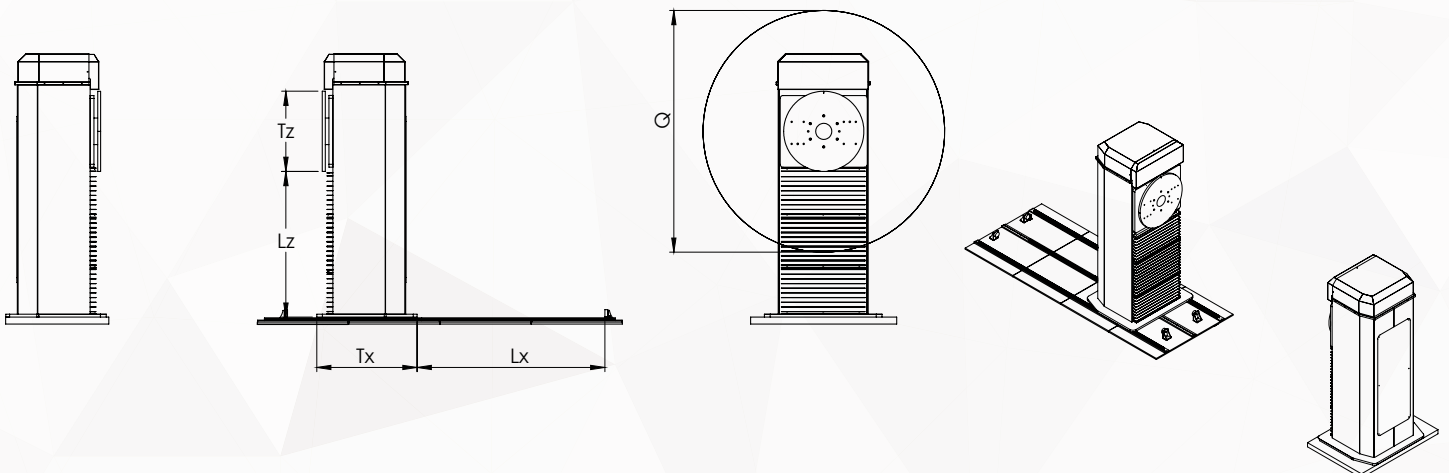
Size	Capacity (kg)	*1Drive Tech Pieces	Turning Diameter	*2Shaft Information	Rotational Axis Max. Velocity (RPM)	Z Axis Max. Velocity (mm/s)	Drive Group Code	Allowable Inertia (kgm ²)	Tork System (Nm)
Small	1000	SD,DD	Q750, Q1000, Q1500, Q2000, Q2500	Ssh, Hsh	15	20	OPTIONS	1750	1750
Small	2500	SD,DD	Q750, Q1000, Q1500, Q2000, Q2500	Ssh, Hsh	10	15	OPTIONS	2750	4100
Medium	5000	SD,DD	Q750, Q1000, Q1500, Q2000, Q2500	Hsh	7,5	10	OPTIONS	8000	9000
Medium	7500	SD,DD	Q750, Q1000, Q1500, Q2000, Q2500	Hsh	7,5	8	OPTIONS	12500	13000
Large	10000	SD,DD	Q1000, Q1500, Q2000, Q2500, Q3000, Q3500	Hsh	6	5	OPTIONS	22500	19000
Large	15000	SD,DD	Q1000, Q1500, Q2000, Q2500, Q3000, Q3500	Hsh	6	3	OPTIONS	40000	29000
XLarge	20000	SD,DD	Q2000, Q2500, Q3000, Q3500, Q4000, Q4500	Hsh	4	3	OPTIONS	55000	38000
Xlarge	30000	DD	Q2000, Q2500, Q3000, Q3500, Q4000, Q4500	Hsh	4	2,5	OPTIONS	77500	57000
2Xlarge	40000	DD	Q2000, Q2500, Q3000, Q3500, Q4000, Q4500	Hsh	3,5	2	OPTIONS	110000	77000

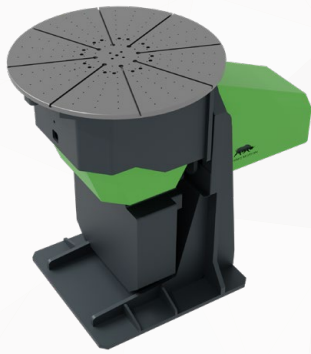
*1 SD: Single Drive DD: Double Drive

*2 SSH: Solid Shaft HSH: Hollow Shaft

*3 Alphabetical order list

AB: ABB, CO: COMAU, FA: FANUC, HY: HYUNDAI, KA: KAWASAKI, KU: KUKA, NA: NACHI, OT: OTC, PA: PANASONIC, ST: STAUBLI, YA: YASKAWA, XX: OTHER SERVO MOTOR





CS Series Key Properties:

- Compact, Space-Saving Design
- High-Precision Positioning

Compact Skyhook Series are robotic positioners that has one horizontal and one vertical axis. They can be produced for different workpiece dimensions and weights. They provide flexible positioning of complex workpieces.

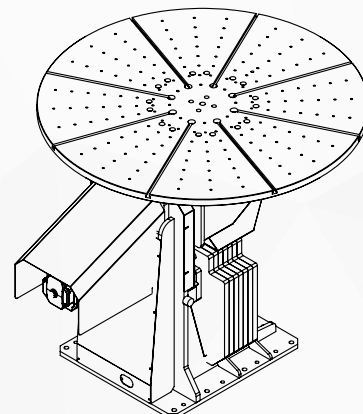
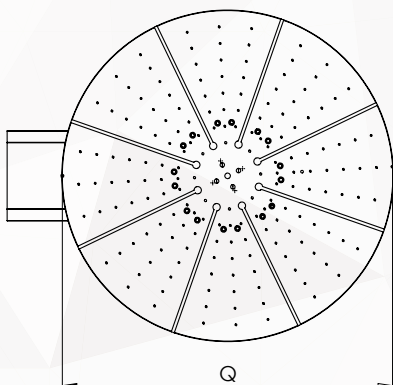
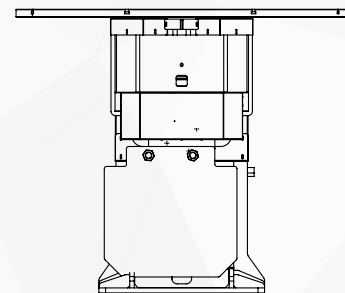
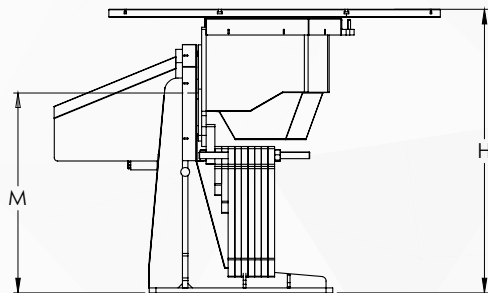
TECHNICAL SPECIFICATIONS

Size	Capacity (kg)	Drive Option Shortcode	*1Turning Diameter	Shaft Information	Rotational Axis Max. Velocity (RPM)	Z Axis Max. Velocity (RPM)	Drive Group Code	Allowable Inertia (kgm ²)	Tork system Rotary (Nm)
Xsmall	250	Q750, Q1000, Q1500, Q2000	Ssh, Hsh	30	15	300	OPTIONS	420	780
Xsmall	500	Q750, Q1000, Q1500, Q2000	Ssh, Hsh	30	15	300	OPTIONS	780	1750
Small	1000	Q750, Q1000, Q1500, Q2000	Ssh, Hsh	15	10	1750	OPTIONS	1750	3400
Small	2500	Q1500, Q2000, Q2500, Q3000	Ssh, Hsh	10	7,5	2750	OPTIONS	4100	8700

*1SSH: Solid Shaft HSH: Hollow Shaft

*2Alphabetical order list

AB: ABB, CO: COMAU, FA: FANUC, HY: HYUNDAI, KA: KAWASAKI, KU: KUKA, NA: NACHI, OT: OTC, PA: PANASONIC, ST: STAUBLI, YA: YASKAWA, XX: OTHER SERVO MOTOR





SH Series
Key Properties:

- ▣ Robust Structural Design
- ▣ Powerful Dual-Axis Rotation
- ▣ Extended Operating Lifespan

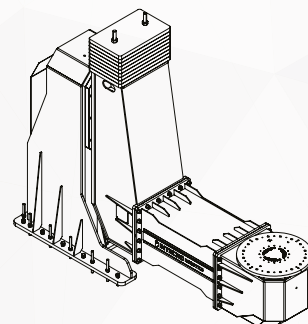
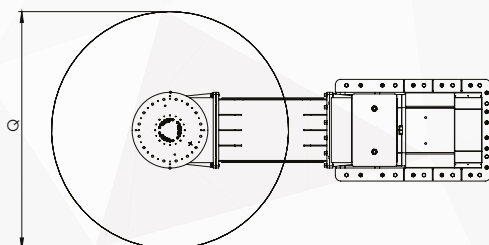
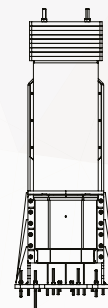
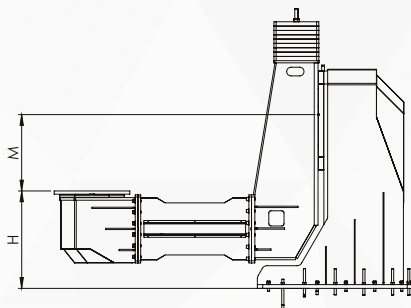
Skyhook Series are robotic positioners that has one horizontal and one vertical axis. They provide continuous 360 rotation in both axes. High precision synchronous Skyhook robotic positioners enable the operator to work on complex workpieces.

TECHNICAL SPECIFICATIONS

Size	Capacity (kg)	Turning Diameter	*1Shaft Information	Rotational Axis Max. Velocity (RPM)	Tilt Axis Max. Velocity (RPM)	Drive Group Code	Allowable Inertia (kgm ²)	Tork system Rotary (Nm)	Tork system Tilt (Nm)
Xsmall	500	Q750, Q1000, Q1500, Q2000, Q2500	Ssh, Hsh	30	15	OPTIONS	300	780	12000
Small	1000	Q750, Q1000, Q1500, Q2000, Q2500	Ssh, Hsh	15	10	OPTIONS	1750	1750	16000
Small	2500	Q750, Q1000, Q1500, Q2000, Q2500	Ssh, Hsh	10	7,5	OPTIONS	2750	4100	30000
Medium	5000	Q750, Q1000, Q1500, Q2000, Q2500	Hsh	7,5	7,5	OPTIONS	8000	9000	40000
Medium	7500	Q750, Q1000, Q1500, Q2000, Q2500	Hsh	7,5	6	OPTIONS	12500	13000	50000
Large	10000	Q1000, Q1500, Q2000, Q2500, Q3000, Q3500	Hsh	6	6	OPTIONS	22500	19000	60000
Large	15000	Q1000, Q1500, Q2000, Q2500, Q3000, Q3500	Hsh	6	4	OPTIONS	40000	29000	80000
Xlarge	20000	Q1000, Q1500, Q2000, Q2500, Q3000, Q3500	Hsh	4	4	OPTIONS	55000	38000	120000

*1 SSH: Solid Shaft HSH: Hollow Shaft

Recommended Servo Motors: ABB, COMAU, FANUC, HYUNDAI, KAWASAKI, KUKA, METALG, NACHI, OTC, PANASONIC, STAUBLI, YASKAWA





SHD Series Key Properties:

- Vertical and Horizontal Axis Operation
- Powerful Dual-Axis Rotation
- Extended Operational Lifespan

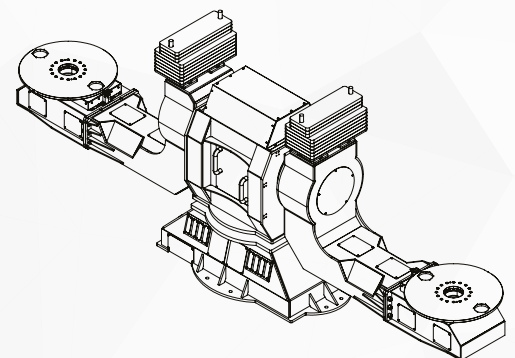
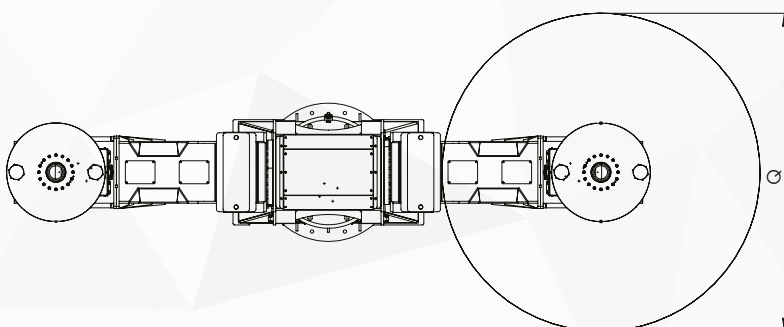
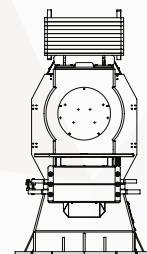
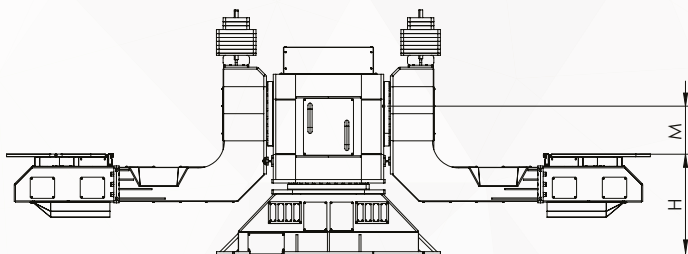
SHD Series robotic positioners has two stations and five axis. For the short cycle times, they enable operators to load & unload the workpieces while the other one is being welded.

TECHNICAL SPECIFICATIONS

Size	Capacity (kg)	Turning Diameter	*1Shaft Information	Rotational Axis Max. Velocity (RPM)	Tilt Axis Max. Velocity (RPM)	Drive Group Code	Allowable Inertia (kgm ²)	Tork system Rotary (Nm)	Tork system Tilt (Nm)
Xsmall	500	Q750, Q1000, Q1500, Q2000, Q2500	Ssh, Hsh	30	15	OPTIONS	300	780	12000
Small	1000	Q750, Q1000, Q1500, Q2000, Q2500	Ssh, Hsh	15	10	OPTIONS	1750	1750	16000
Small	2500	Q750, Q1000, Q1500, Q2000, Q2500	Ssh, Hsh	10	7,5	OPTIONS	2750	4100	30000
Medium	5000	Q750, Q1000, Q1500, Q2000, Q2500	Hsh	7,5	7,5	OPTIONS	8000	9000	40000
Medium	7500	Q750, Q1000, Q1500, Q2000, Q2500	Hsh	7,5	6	OPTIONS	12500	13000	50000
Large	10000	Q1000, Q1500, Q2000, Q2500, Q3000, Q3500	Hsh	6	6	OPTIONS	22500	19000	60000
Large	15000	Q1000, Q1500, Q2000, Q2500, Q3000, Q3500	Hsh	6	4	OPTIONS	40000	29000	80000
Xlarge	20000	Q1000, Q1500, Q2000, Q2500, Q3000, Q3500	Hsh	4	4	OPTIONS	55000	38000	120000

*1 SSH: Solid Shaft HSH: Hollow Shaft

Recommended Servo Motors: ABB, COMAU, FANUC, HYUNDAI, KAWASAKI, KUKA, **METALG**, NACHI, OTC, PANASONIC, STAUBLI, YASKAWA





IDC Series Key Properties:

- Sturdy, Rigid Structure
- Durable for Extended Use
- Continuous 360 Rotation

IDC series Robotic Positioners are produced for complex workpieces.

They have one station and two different horizontal axes. They provide flexibility for long and complex workpieces.

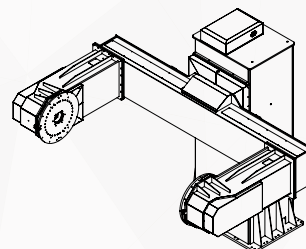
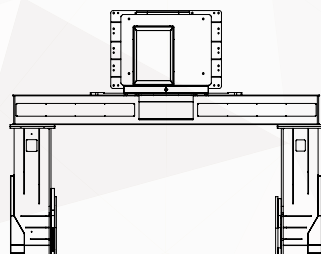
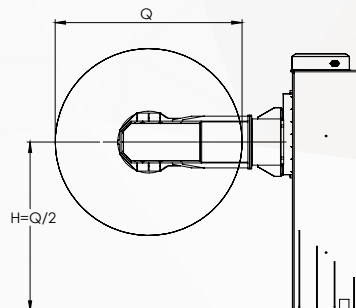
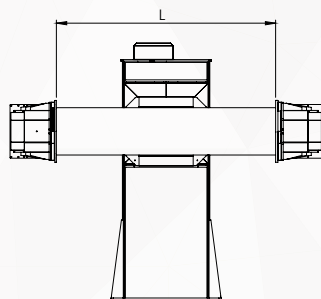
TECHNICAL SPECIFICATIONS

Size	Capacity (kg)	Turning Diameter	*2Shaft Information	Rotational Axis Max. Velocity (RPM)	Tilt Axis Max. Velocity (RPM)	Drive Group Code	Allowable Inertia (kgm ²)	Tork Rotary (Nm)	Tork Tilt (Nm)
Xsmall	500	Q750, Q1000, Q1500, Q2000	Ssh, Hsh	30	15	OPTIONS	300	780	1750
Small	1000	Q1500, Q2000, Q2500, Q3000	Ssh, Hsh	15	10	OPTIONS	1750	1750	4100
Small	2500	Q1500, 2000, Q2500, Q3000	Ssh, Hsh	10	10	OPTIONS	2750	4100	9000
Medium	5000	Q2000, Q2500, Q3000, Q3500	Hsh	7,5	8	OPTIONS	8000	9000	13000
Medium	7500	Q2000, Q2500, Q3000, Q3500	Hsh	7,5	7,5	OPTIONS	12500	13000	19000
Large	10000	Q2000, Q2500, Q3000, Q3500, Q4000	Hsh	6	7,5	OPTIONS	22500	19000	29000
Large	15000	Q2500, Q3000, Q3500, Q4000, Q4500	Hsh	6	6	OPTIONS	40000	29000	38000
Xlarge	20000	Q2500, Q3000, Q3500, Q4000, Q4500	Hsh	4	4	OPTIONS	55000	38000	77000

*1 SD: Single Drive DD: Double Drive

*2 SSH: Solid Shaft HSH: Hollow Shaft

Recommended Servo Motors: ABB, COMAU, FANUC, HYUNDAI, KAWASAKI, KUKA, METALG, NACHI, OTC, PANASONIC, STAUBLI, YASKAWA





IDCD Series Key Properties:

- ▣ Sturdy, Rigid Structure
- ▣ High Precision Positioning
- ▣ Durable for Extended Use

IDCD Series Robotic Positioners has two station and five axes. For the short cycle times, they enable operators to load & unload the workpieces while the other one is being processed.

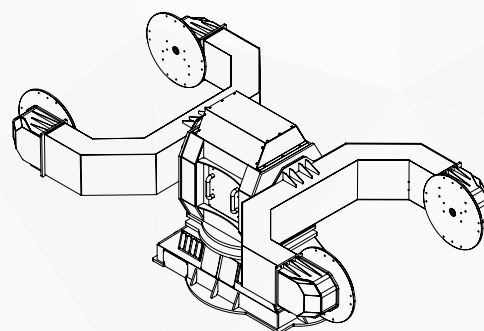
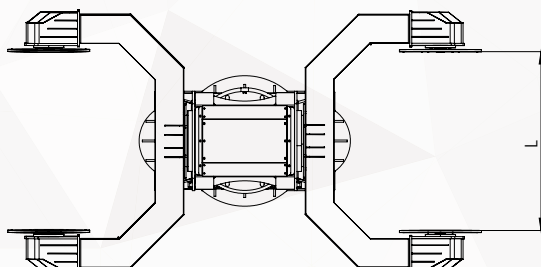
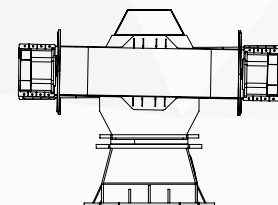
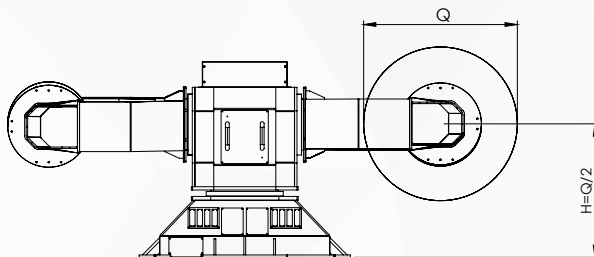
TECHNICAL SPECIFICATIONS

Size	Capacity (kg)	Turning Diameter	*2Shaft Information	Rotational Axis Max. Velocity (RPM)	Tilt Axis Max. Velocity (RPM)	Drive Group Code	Allowable Inertia (kgm ²)	Tork Rotary (Nm)	Tork Tilt (Nm)
Xsmall	500	Q750, Q1000, Q1500, Q2000	Ssh, Hsh	30	15	OPTIONS	300	780	1750
Small	1000	Q1500, Q2000, Q2500, Q3000	Ssh, Hsh	15	10	OPTIONS	1750	1750	4100
Small	2500	Q1500, Q2000, Q2500, Q3000	Ssh, Hsh	10	10	OPTIONS	2750	4100	9000
Medium	5000	Q2000, Q2500, Q3000, Q3500	Hsh	7,5	8	OPTIONS	8000	9000	13000
Medium	7500	Q2000, Q2500, Q3000, Q3500	Hsh	7,5	7,5	OPTIONS	12500	13000	19000
Large	10000	Q2000, Q2500, Q3000, Q3500, Q4000	Hsh	6	7,5	OPTIONS	22500	19000	29000
Large	15000	Q2500, Q3000, Q3500, Q4000, Q4500	Hsh	6	6	OPTIONS	40000	29000	38000
XLarge	20000	Q2500, Q3000, Q3500, Q4000, Q4500	Hsh	4	4	OPTIONS	55000	38000	77000

*1 SD: Single Drive DD: Double Drive

*2 SSH: Solid Shaft HSH: Hollow Shaft

Recommended Servo Motors: ABB, COMAU, FANUC, HYUNDAI, KAWASAKI, KUKA, METALG, NACHI, OTC, PANASONIC, STAUBLI, YASKAWA





DC Series Key Properties:

- Robust Structural Design
- High Payload Capacity
- High-Precision Positioning

DC Series Robotic Positioners are produced for the heavy workpieces that has different dimensions. They have two different horizontal axes for high precision positioning.

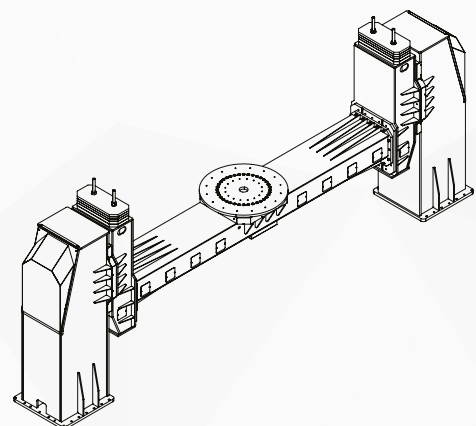
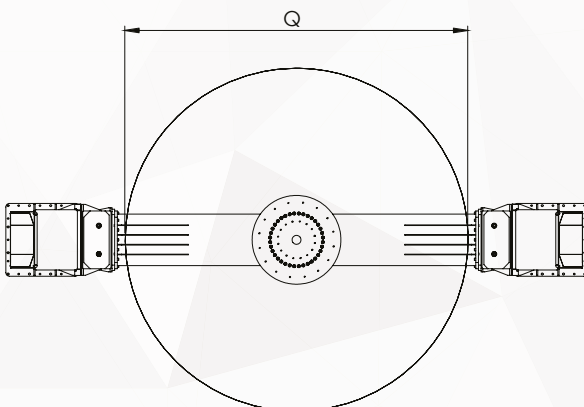
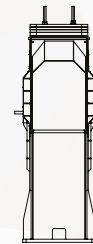
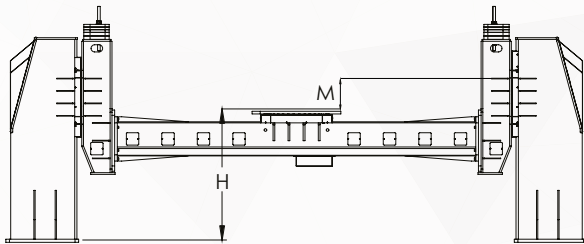
TECHNICAL SPECIFICATIONS

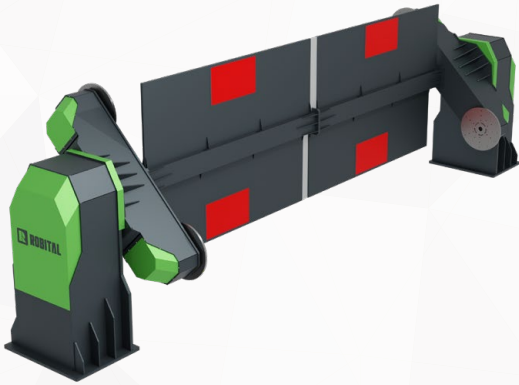
Size	Capacity (kg)	Drive Option Shortcode	Turning Diameter	*2Shaft Information	Rotational Axis Max. Velocity (RPM)	Tilt Axis Max. Velocity (RPM)	Drive Group Code	Allowable Inertia (kgm ²)	Tork system Rotary (Nm)	Tork system Tilt (Nm)
Medium	5000	SD, DD	Q2000, Q3000, Q4000, Q5000	Hsh	7,5	8	OPTIONS	8000	9000	45000
Medium	7500	SD, DD	Q2000, Q3000, Q4000, Q5000	Hsh	7,5	7,5	OPTIONS	12500	13000	55000
Large	10000	SD, DD	Q2000, Q3000, Q4000, Q5000	Hsh	6	7,5	OPTIONS	22500	19000	60000
Large	15000	DD	Q2000, Q3000, Q4000, Q5000	Hsh	6	6	OPTIONS	40000	29000	65000
Xlarge	20000	DD	Q2000, Q3000, Q4000, Q5000	Hsh	4	4	OPTIONS	55000	38000	85000
Xlarge	30000	DD	Q2000, Q3000, Q4000, Q5000	Hsh	4	4	OPTIONS	77500	57000	120000

*1 SD: Single Drive DD: Double Drive

*2 SSH: Solid Shaft HSH: Hollow Shaft

Recommended Servo Motors: ABB, COMAU, FANUC, HYUNDAI, KAWASAKI, KUKA, METALG, NACHI, OTC, PANASONIC, STAUBLI, YASKAWA





**THDY Series
Key Properties:**

- ▣ Designed for Ease of Use
- ▣ Ergonomic Workplace Height
- ▣ Long Operating Life Time
- ▣ Precise Positioning

High payload multi axes positioners with two stations are designed to increase system efficiency.

In THDY Robotic Positioners, the operator can perform load - unload tasks on one station while the robot carries out the process. This way both stations can be used safely and simultaneously, maximizing system utilization for short cycle times.

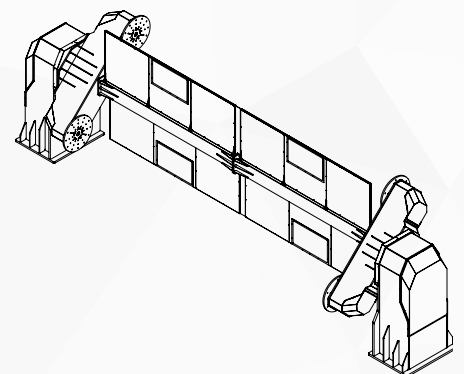
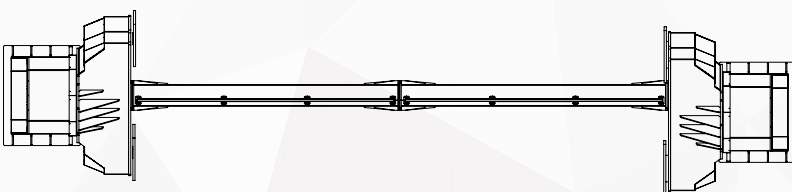
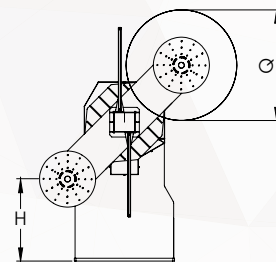
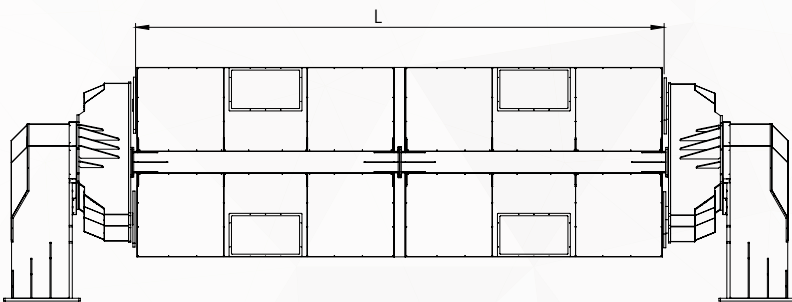
TECHNICAL SPECIFICATIONS

Size	Capacity (kg)	Turning Diameter	*2Shaft Information	Rotational Axis Max. Velocity (RPM)	Tilt Axis Max. Velocity (RPM)	Drive Group Code	Allowable Inertia (kgm ²)	TorkSystem Rotary (Nm)	Tork System Tilt (Nm)
Small	1000	Q750, Q1000, Q1500, Q2000	Ssh, Hsh	15	10	OPTIONS	1750	1750	4100
Small	2500	Q1500, Q2000, Q2500, Q3000	Ssh, Hsh	10	7,5	OPTIONS	2750	4100	9000
Medium	5000	Q1500, Q2000, Q2500, Q3000	Hsh	7,5	7,5	OPTIONS	8000	9000	13000
Medium	7500	Q1500, Q2000, Q2500, Q3000	Hsh	7,5	6	OPTIONS	12500	13000	19000
Large	10000	Q1500, Q2000, Q2500, Q3000	Hsh	6	6	OPTIONS	22500	19000	29000
Large	15000	Q1500, Q2000, Q2500, Q3000	Hsh	6	4	OPTIONS	40000	29000	38000

*1 SD: Single Drive DD: Double Drive

*2 SSH: Solid Shaft HSH: Hollow Shaft

Recommended Servo Motors: ABB, COMAU, FANUC, HYUNDAI, KAWASAKI, KUKA, METALG, NACHI, OTC, PANASONIC, STAUBLI, YASKAWA



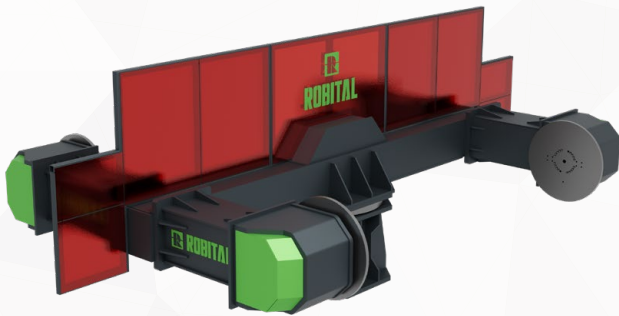
THDZ Series

Key Properties:

- Ergonomic Workplace Height
- Long Operating Lifetime
- Precise Positioning

High payload multi axes positioners with two stations are designed to increase system efficiency.

In THDZ Robotic Positioners, the operator can perform load - unload tasks on one station while the robot carries out the process. This way both stations can be used safely and simultaneously, maximizing system utilization for short cycle times.

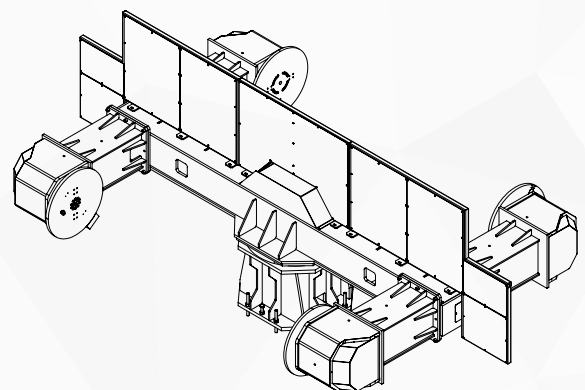
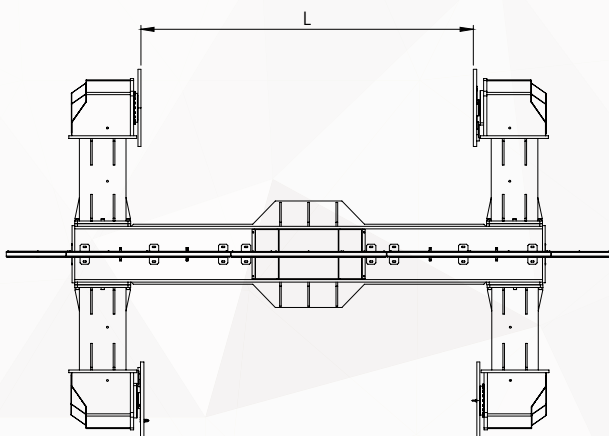
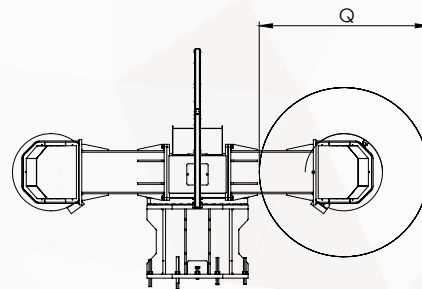
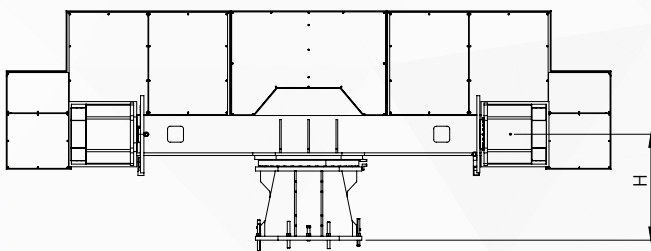


TECHNICAL SPECIFICATIONS

Size	Capacity (kg)	Turning Diameter	*1Shaft Information	Rotational Axis Max. Velocity (RPM)	Tilt Axis Max. Velocity (RPM)	Drive Group Code	Allowable Inertia (kgm ²)	Tork System Rotary (Nm)
Small	2500	Q750, Q1000, Q1500, Q2000	Ssh, Hsh	10	7,5	OPTIONS	2750	4100
Medium	5000	Q1500, Q2000, Q2500, Q3000	Hsh	7,5	7,5	OPTIONS	8000	9000
Medium	7500	Q1500, Q2000, Q2500, Q3000	Hsh	7,5	6	OPTIONS	12500	13000
Large	10000	Q1500, Q2000, Q2500, Q3000	Hsh	6	6	OPTIONS	22500	19000
Large	15000	Q1500, Q2000, Q2500, Q3000	Hsh	6	4	OPTIONS	40000	29000

*1SSH: Solid Shaft HSH: Hollow Shaft

Recommended Servo Motors: ABB, COMAU, FANUC, HYUNDAI, KAWASAKI, KUKA, **METALG**, NACHI, OTC, PANASONIC, STAUBLI, YASKAWA



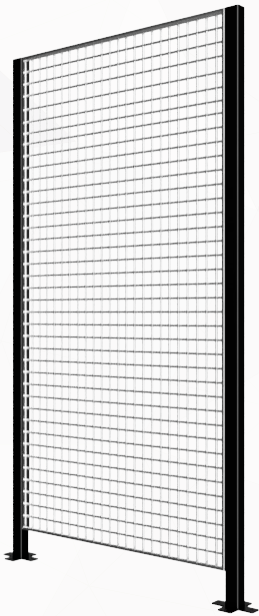
RHINO MOTION OPTIONS



**INTER
STATION
SAFETY
CURTAIN**



**LIGHT
BARRIER**



FENCE



PANEL



FABRIC BELLOWS



**AUTOMATIC
LUBRICATION**



**COLUMN
LIGHT**



CONTROLLER

RHINO MOTION SPARE PARTS



**COPPER
FRICTION
COMPONENT**



BEARING



PINION



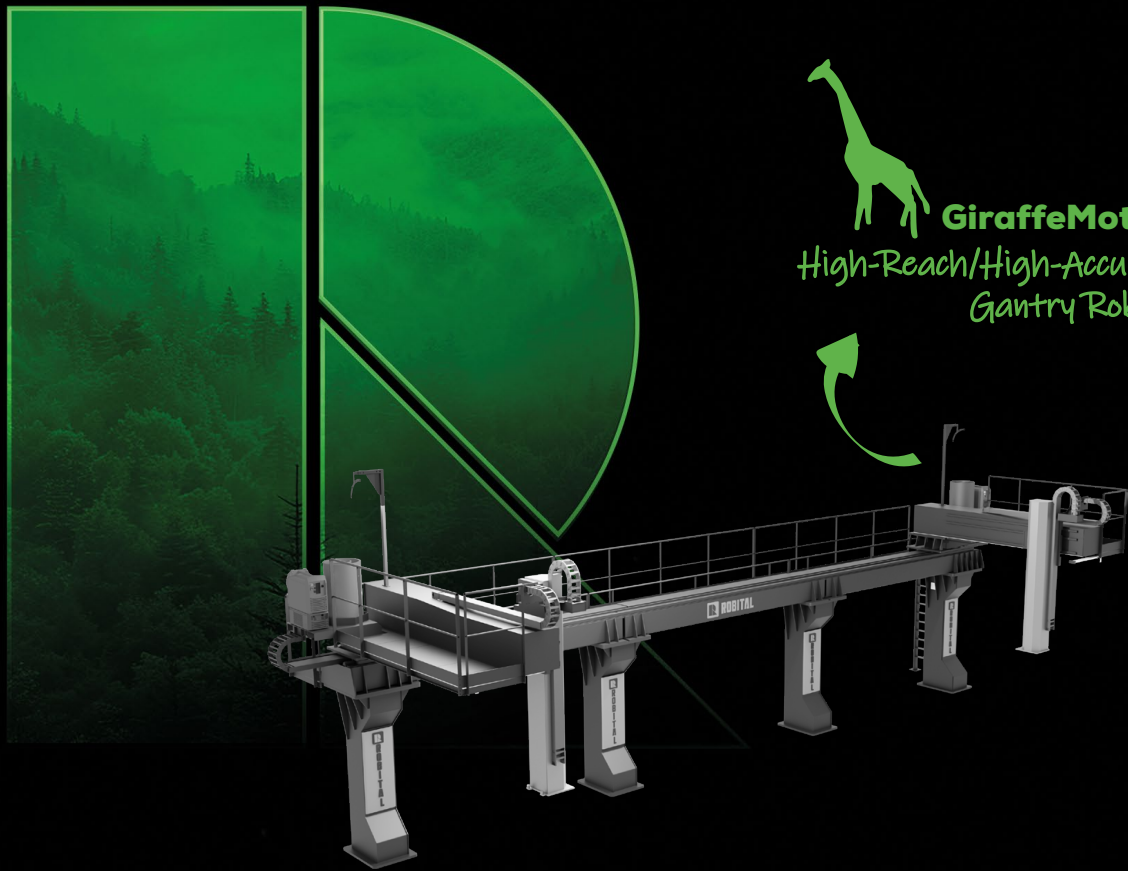
**CHASSIS
CABLE**



REDUCER

PRECISION IN
PRODUCTION
POWER IN
MOTION





GiraffeMotion
High-Reach/High-Accuracy
Gantry Robots

Designs Inspired by Nature

GiraffeMotion gantry robots are inspired by the long and adaptable neck of a giraffe. When industrial robots are integrated with gantry systems, they gain exceptional reach capabilities in Cartesian coordinates (XYZ axes) and vertical flexibility. Perfect for applications requiring high accessibility and precise positioning, GiraffeMotion enables efficient operation even in demanding heavy-industrial environments. Our modular gantry robots offer reach lengths of up to 200 meters.

They are the ideal and reliable partners for applications such as welding and cutting, where robots are inverted and suspended from the gantry system.



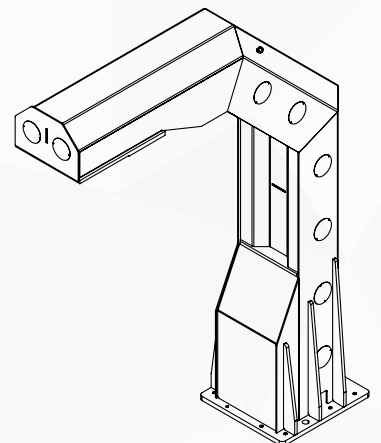
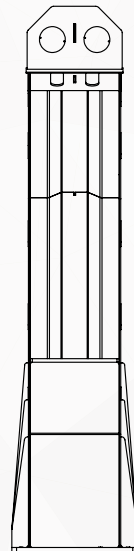
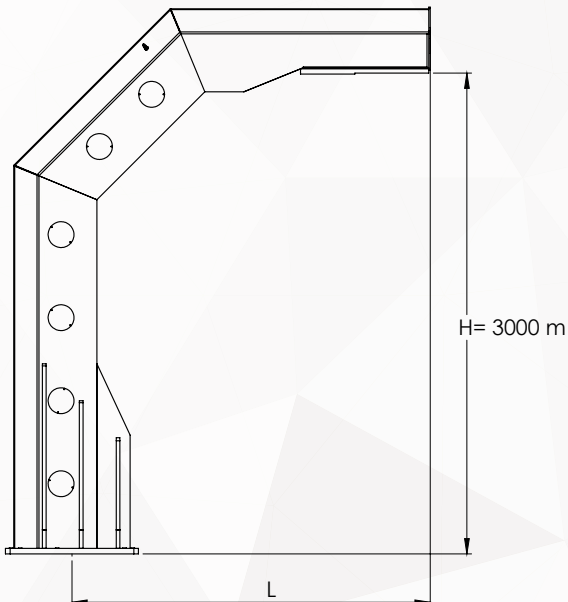
C Colon Series Key Properties:

- Special manufacturing for desired dimensions and different robot weights.
- The C Colon Series allows operators to handle large workpieces efficiently.

C Colon robotic peripherals are produced to use where the robot's accessibility needs to be increased.

TECHNICAL SPECIFICATIONS

Size	Capacity(kg)	Welding Machine Options	Welding Wire Drum Options	Robot Drive Group
Small	1000	WM	WWD	OPTIONS





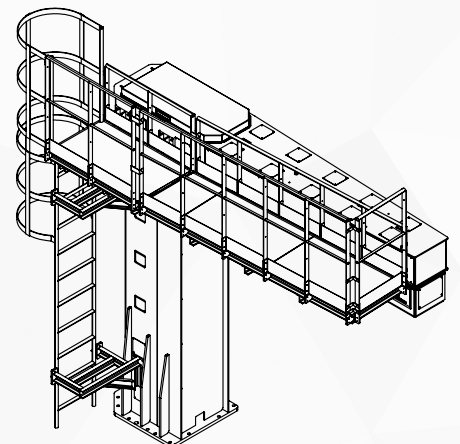
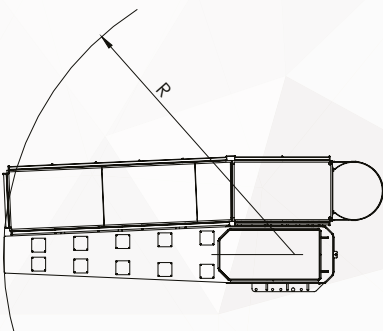
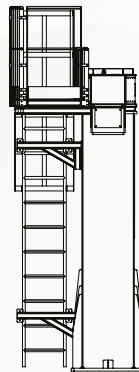
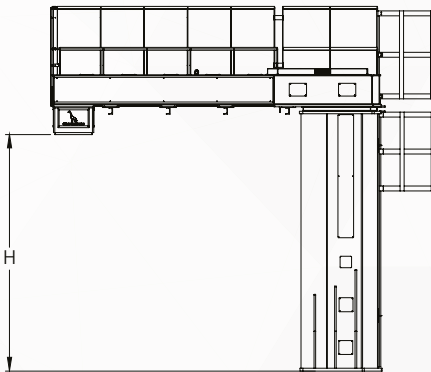
Rotary C Colon Series Key Properties:

- ▣ Special manufacturing for desired dimensions and different robot weights.
- ▣ The Rotary C Colon Series has one rotary axis that allows operators to handle different workpieces in low cycle times.

Rotary C Colon robotic peripherals are produced to use where the robot's accessibility needs to be increased.

TECHNICAL SPECIFICATIONS

Size	Capacity(kg)	Welding Machine Options	Welding Wire Drum Options	Robot Drive Group	Maximum RPM of Axis
Small	1000	WM	WWD	OPTIONS	6
Medium	2500	WM	WWD	OPTIONS	4





Pillar Gantry Series Key Properties:

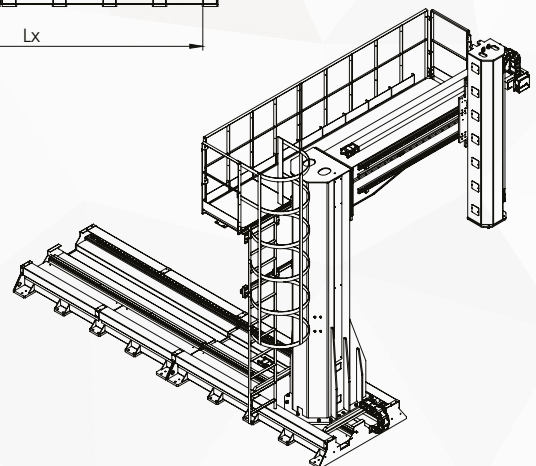
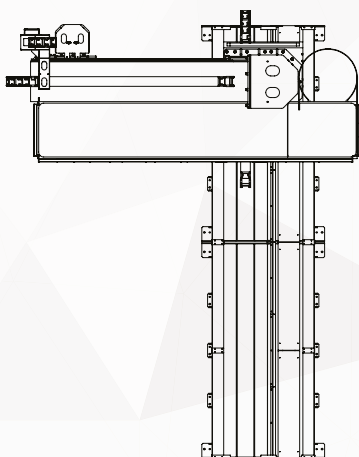
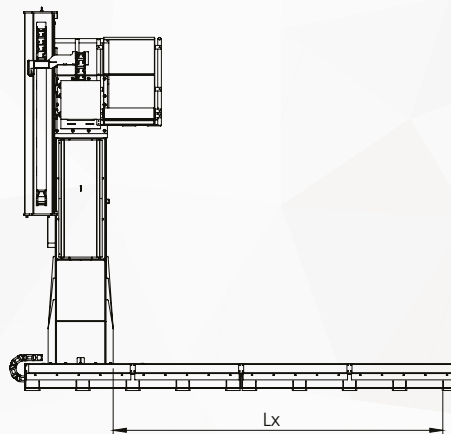
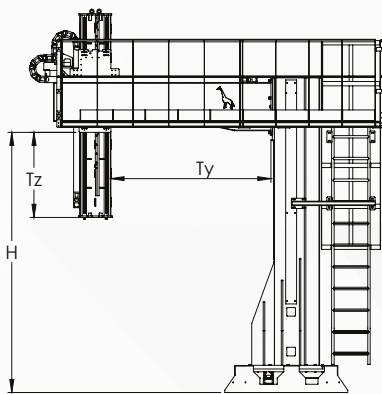
- Long Operating Lifetime
- Productivity Enhancement
- Flexible Movement Capability

Robotic Pillar Gantry Series are robotic peripherals that increases the robot's accessibility, they add 3 (X, Y, Z) external axis to a robot.

TECHNICAL SPECIFICATIONS

Size	Capacity(kg)	Drive Technology Pack Number	Welding Machine Options	Welding Wire Drum Options	Drive Group Code	Maximum Velocity (m/s) of Axis	Weight of Y Axis	Weight of Z Axis	Repeatability	X Axis Torque	Y Axis Torque	Z Axis Torque
Small	100	O,T	WM	WWD	OPTIONS	0,9	1000	500	±0,025	750	300	300
Medium	500	O,T	WM	WWD	OPTIONS	0,6	1500	800	±0,025	1350	600	650
Large	1000	O,T	WM	WWD	OPTIONS	0,6	2500	1250	±0,025	1750	1050	1100
XLarge	1500	O,T	WM	WWD	OPTIONS	0,3	3500	2000	±0,025	3000	1500	1750

Recommended Servo Motors: ABB, COMAU, FANUC, HYUNDAI, KAWASAKI, KUKA, **METALG**, NACHI, OTC, PANASONIC, STAUBLI, YASKAWA



Gantry Series Key Properties:

- High-Speed Performance
- Multi-Robot Connectivity
- Rigid Structural Design
- High-Precision

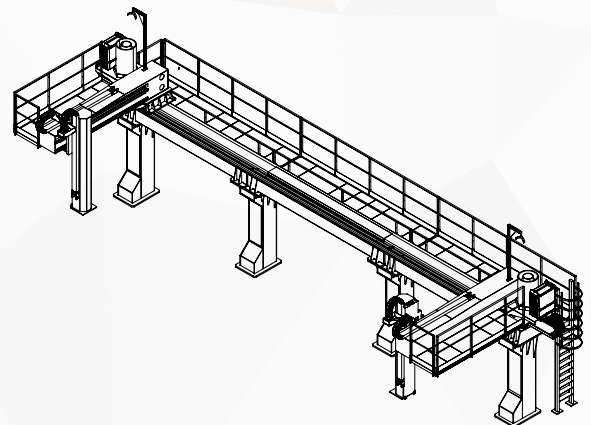
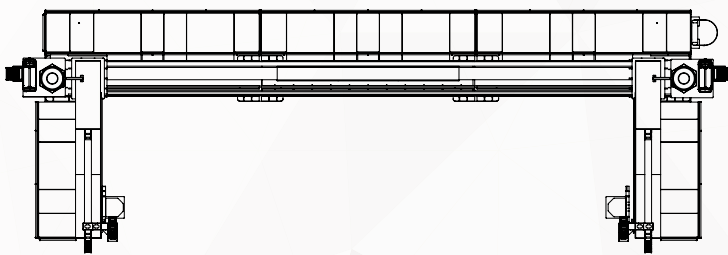
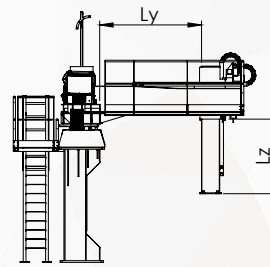
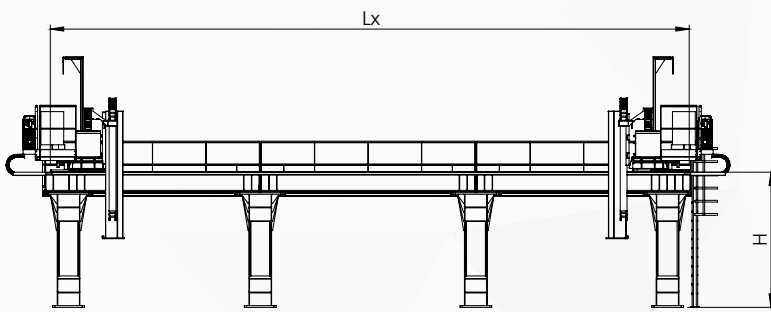
Gr Series are multi-directional gantry type robotic systems which consist of cartesian X, Y and Z axes and 6 axis robots driven with the same controller.

Gantry systems with 1,2 or 3 additional axes provide high efficiency and movement flexibility especially in heavy welding applications.

TECHNICAL SPECIFICATIONS

Size	Capacity(kg)	Drive Technology Pack Number	Welding Machine Options	Welding Wire Drum Options	Drive Group Code	Maximum Velocity (m/s) of Axis	Weight of Y Axis	Weight of Z Axis	Repeatability	X Axis Torque	Y Axis Torque	Z Axis Torque
Small	100	O,T	WM	WWD	OPTIONS	0,9	1000	500	±0,025	750	300	300
Medium	500	O,T	WM	WWD	OPTIONS	0,6	1500	800	±0,025	1350	600	650
Large	1000	O,T	WM	WWD	OPTIONS	0,6	2500	1250	±0,025	1750	1050	1100
XLarge	1500	O,T	WM	WWD	OPTIONS	0,3	3500	2000	±0,025	3000	1500	1750

Recommended Servo Motors: ABB, COMAU, FANUC, HYUNDAI, KAWASAKI, KUKA, **METALG**, NACHI, OTC, PANASONIC, STAUBLI, YASKAWA





Portal Gantry Series Key Properties:

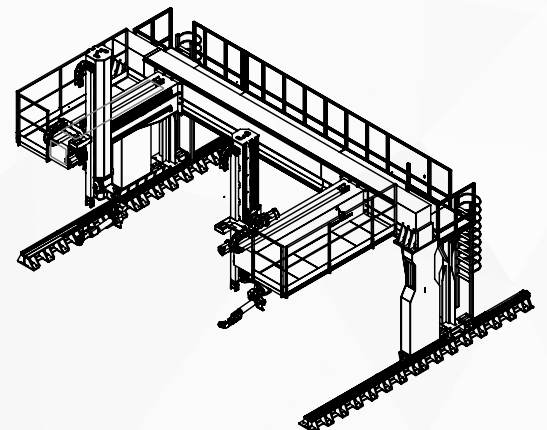
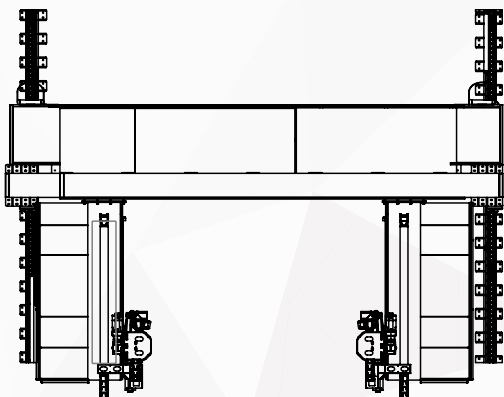
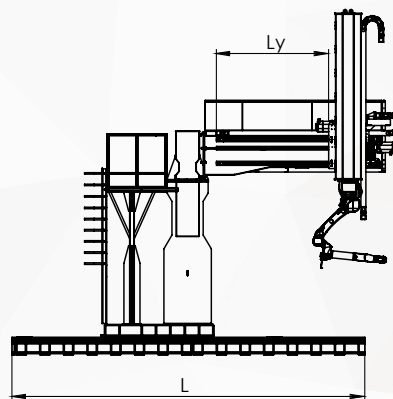
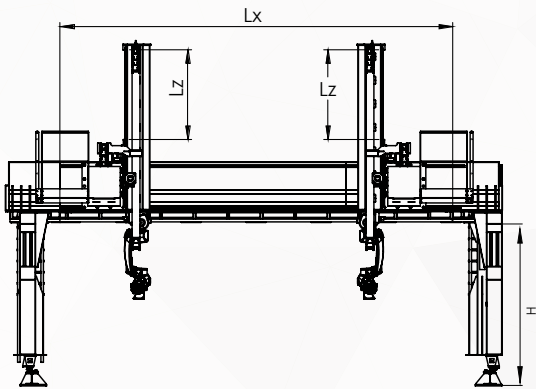
- ▣ High-Speed Performance
- ▣ Multi-Robot Connectivity
- ▣ Rigid Structural Design
- ▣ High-Precision Positioning

High precision synchronous positioners are used in applications such as welding, milling and assembly which may require flexible positioning of workpieces

TECHNICAL SPECIFICATIONS

Size	Capacity(kg)	Drive Technology Pack Number	Welding Machine Options	Welding Wire Drum Options	Drive Group Code	Maximum Velocity (m/s) of Axis	Weight of Y Axis (For X Axis Drive)	Weight of Z Axis (For Y Axis Drive)	Weight of Y1 Axis	Repeatability	X Axis Torque	Y Axis Torque	Z Axis Torque	y1 Axis Torque
Small	100	O,T	WM	WWD	OPTIONS	0,9	1000	500	5000	±0,025	750	300	300	3000
Medium	500	O,T	WM	WWD	OPTIONS	0,6	1500	800	7500	±0,025	1350	600	650	4500
Large	1000	O,T	WM	WWD	OPTIONS	0,6	2500	1250	12500	±0,025	1750	1050	1100	7500
XLarge	1500	O,T	WM	WWD	OPTIONS	0,3	3500	2000	17500	±0,026	3000	1500	1750	12000

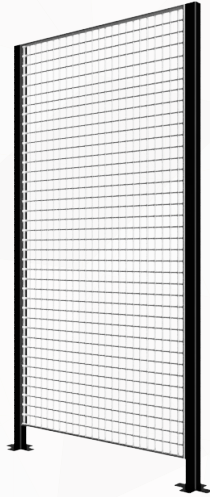
Recommended Servo Motors: ABB, COMAU, FANUC, HYUNDAI, KAWASAKI, KUKA, **METALG**, NACHI, OTC, PANASONIC, STAUBLI, YASKAWA



GIRAFFE MOTION OPTIONS



COLUMN LIGHT



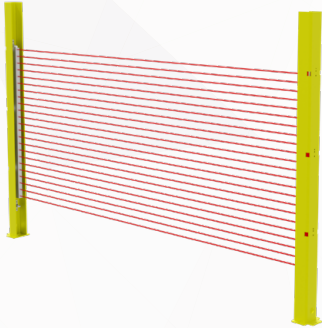
FENCE



PANEL



FABRIC BELLOWS



LIGHT BARRIER



WELDING MACHINE PLACEMENT TABLE

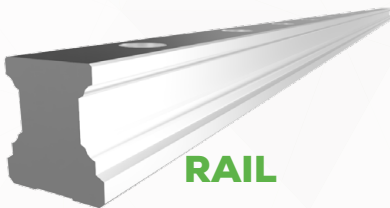


AUTOMATIC LUBRICATION



CONTROLLER

GIRAFFE MOTION SPARE PARTS



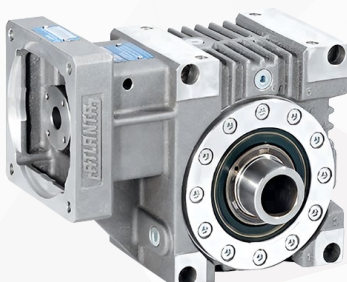
RAIL



RACK



PINION



REDUCER



BALL & ROLLER RAIL CARRIER

WE ARE
READY
TO PRODUCE
WITH YOU!





LizardMotion
*Agile/Precise Cold-Blooded
Robot Sliders*



Designs Inspired by Nature

LizardMotion robotic sliders are designed for flexible and versatile motion, mimicking the agility and precision of a lizard. They are ideal for applications requiring fine adjustments and adaptability, offering seamless positioning with a repeatability of 0.05 mm.

LizardMotion excels at extending the linear reach of industrial robots and mobilizing them effectively. It delivers agile performance in tasks where quick directional changes are crucial. With a payload capacity ranging from 500 kg to 5000 kg, combined with its speed, agility, and high repeatability, LizardMotion is the perfect partner for your robotic projects.



LMS Robotic Slider Key Properties:

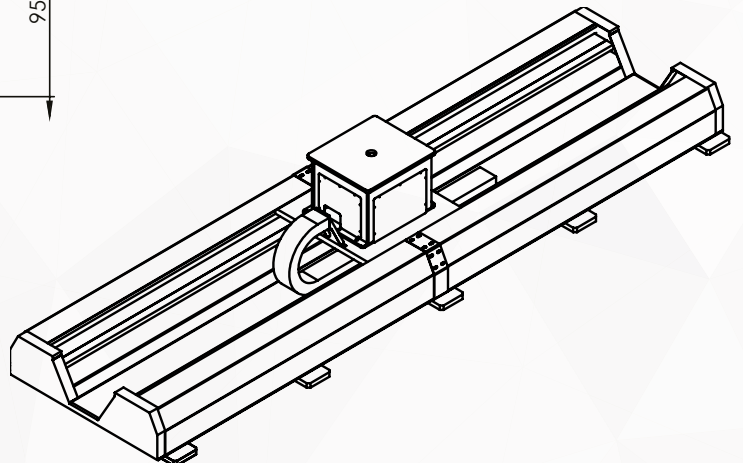
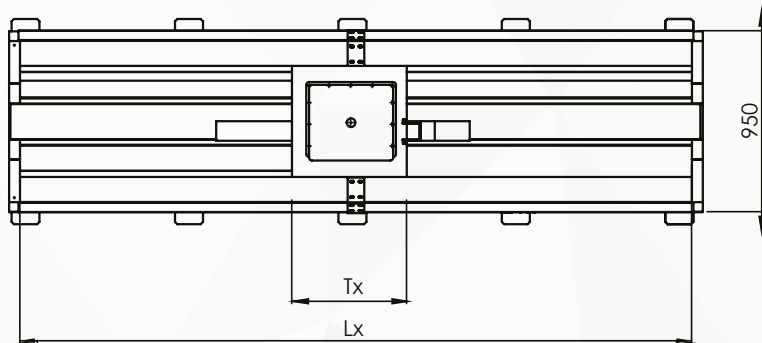
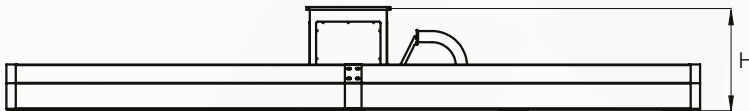
- ▣ High-Precision, High-Quality Construction
- ▣ High-Speed Capabilities
- ▣ Accurate Operation

High precision synchronous robotic sliders are used for adding the 7th axis to the robots. They are able to increase the robot's accessibility with high precision.

TECHNICAL SPECIFICATIONS

Size	Capacity	One Module Length (mm)	Welding Machine Options	Welding Wire Drum Options	Drive Group Code	Linear Axis Stroke	Maximum Velocity(m/s)	Repeatability	Tech Pack Length	Tork
Small	0-1000	3000	WM	WWD	OPTIONS	D-(Tech Pack Length)	0,9	±0,025	900	250

Recommended Servo Motors: ABB, COMAU, FANUC, HYUNDAI, KAWASAKI, KUKA, METALG, NACHI, OTC, PANASONIC, STAUBLI, YASKAWA





LMM Robotic Slider Key Properties:

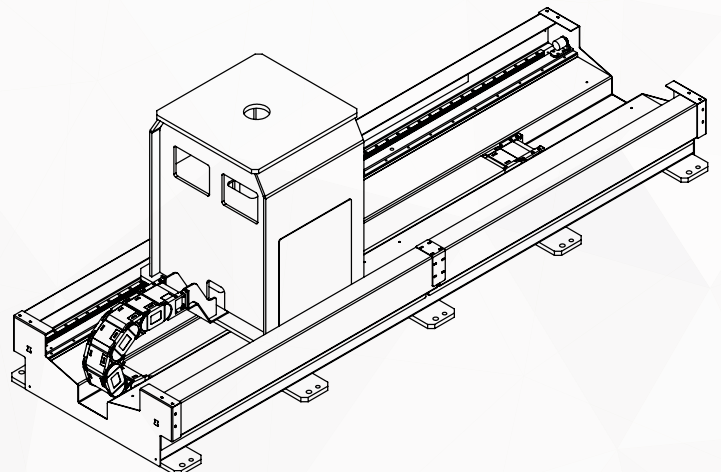
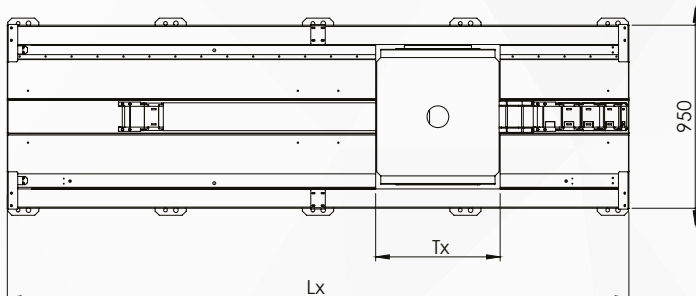
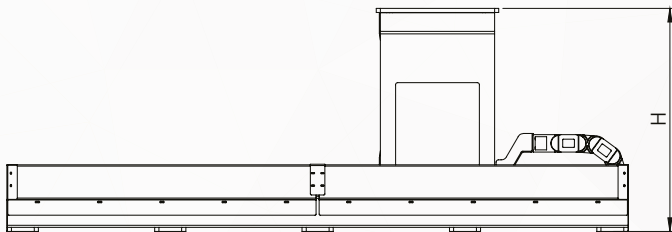
- ▣ High-Precision, High-Quality Construction
- ▣ High-Speed Capabilities
- ▣ Accurate Operation

High precision synchronous robotic sliders are used for adding the 7'th axis to the robots. They are able to increase the robot's accessibility with high precision.

TECHNICAL SPECIFICATIONS

Size	Capacity	One Module Length (mm)	Welding Machine Options	Welding Wire Drum Options	Drive Group Code	Linear Axis Stroke	Maximum Velocity(m/s)	Repeatability	Tech Pack Length	Tork
Medium	1000-3000	3000	WM	WWD	OPTIONS	D-(Tech Pack Length)	0,6	±0,025	850	500

Recommended Servo Motors: ABB, COMAU, FANUC, HYUNDAI, KAWASAKI, KUKA, **METALG**, NACHI, OTC, PANASONIC, STAUBLI, YASKAWA





LML Robotic Slider Key Properties:

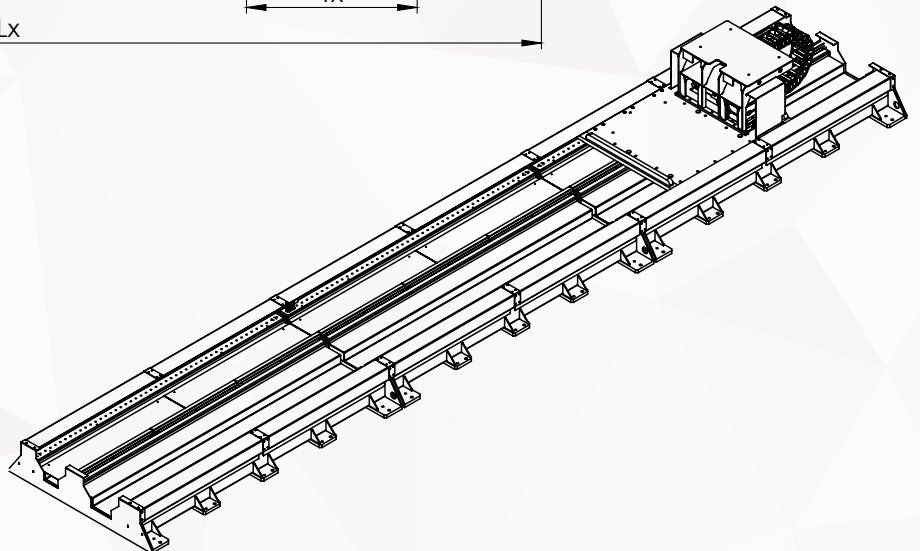
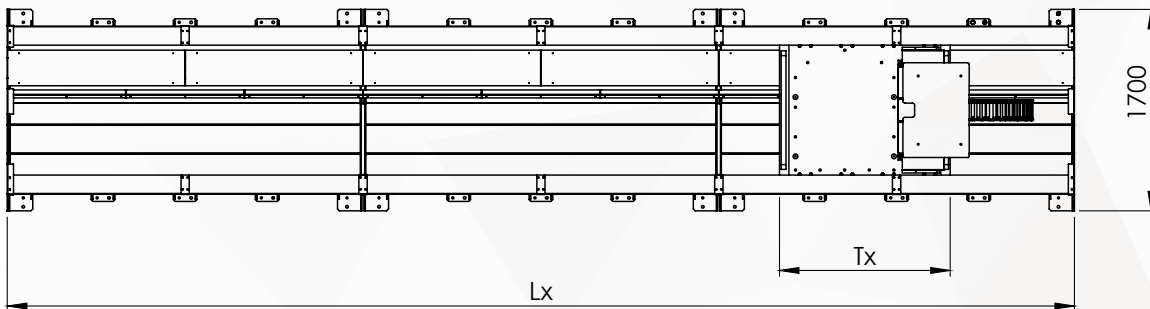
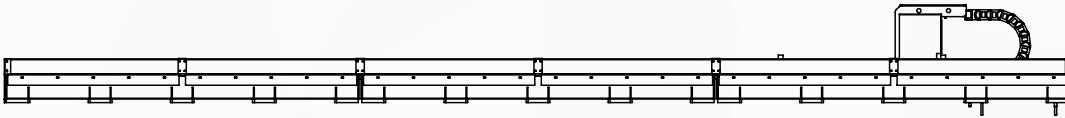
- ▣ High Precision, High-Quality Construction
- ▣ High-Speed Capabilities
- ▣ Accurate Operation

High precision synchronous robotic sliders are used for adding the 7'th axis to the robots. They are able to increase the robot's accessibility with high precision.

TECHNICAL SPECIFICATIONS

Size	Capacity	One Module Length (mm)	Welding Machine Options	Welding Wire Drum Options	Drive Group Code	Linear Axis Stroke	Maximum Velocity(m/s)	Repeatability	Tech Pack Length	Tork
Large	3000-5000	3000	WM	WWD	OPTIONS	D-(Tech Pack Length)	0,6	±0,025	1100	1500

Recommended Servo Motors: ABB, COMAU, FANUC, HYUNDAI, KAWASAKI, KUKA, **METALG**, NACHI, OTC, PANASONIC, STAUBLI, YASKAWA
Length of a module: 3000 mm





LMX Robotic Slider Key Properties:

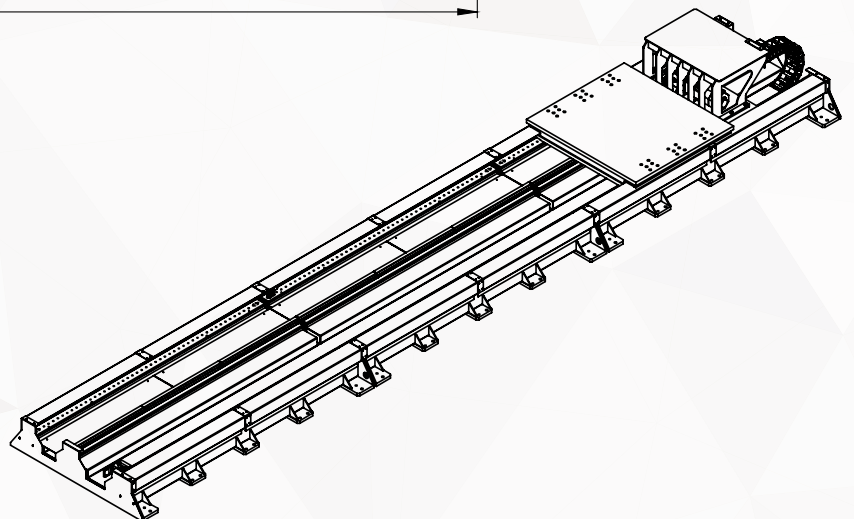
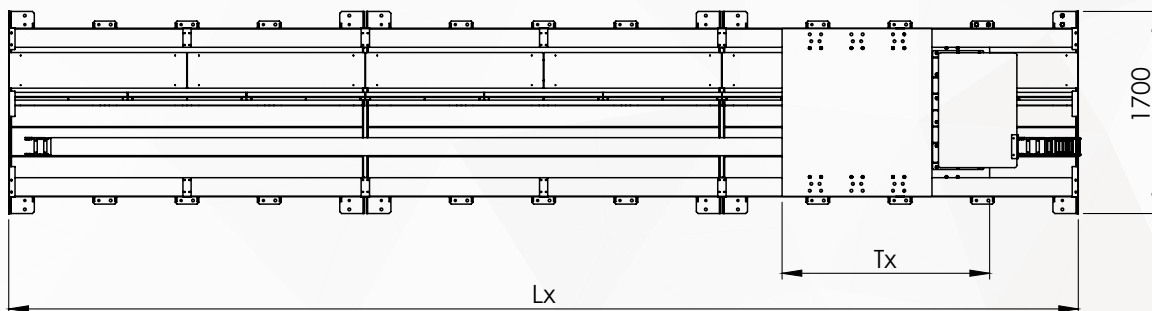
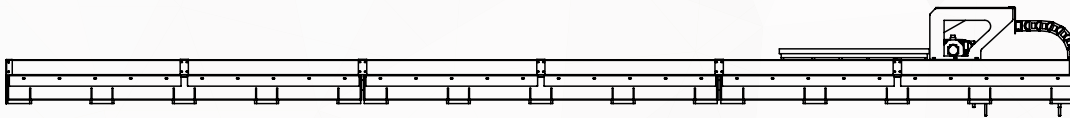
- ▣ High Precision, High-Quality Construction
- ▣ High-Speed Capabilities
- ▣ Accurate Operation

High precision synchronous robotic sliders are used for adding the 7'th axis to the robots. They are able to increase the robot's accessibility with high precision.

TECHNICAL SPECIFICATIONS

Size	Capacity	One Module Length (mm)	Welding Machine Options	Welding Wire Drum Options	Drive Group Code	Linear Axis Stroke	Maximum Velocity(m/s)	Repeatability	Tech Pack Length	Tork
XLarge	5000-7000	3000	WM	WWD	OPTIONS	D-(Tech Pack Length)	0,3	±0,025	1500	3000

Recommended Servo Motors: ABB, COMAU, FANUC, HYUNDAI, KAWASAKI, KUKA, **METALG**, NACHI, OTC, PANASONIC, STAUBLI, YASKAWA
Length of a module: 3000 mm





HLMS Series Key Properties:

- High Precision
- High-Speed Capabilities
- Accurate Operation

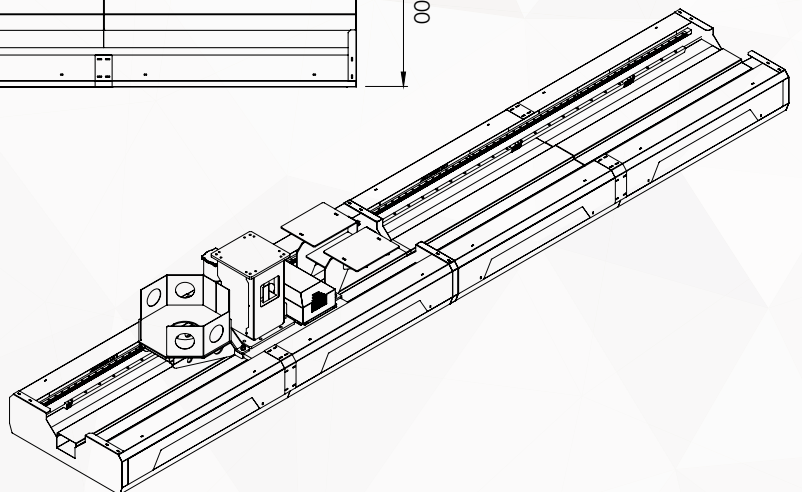
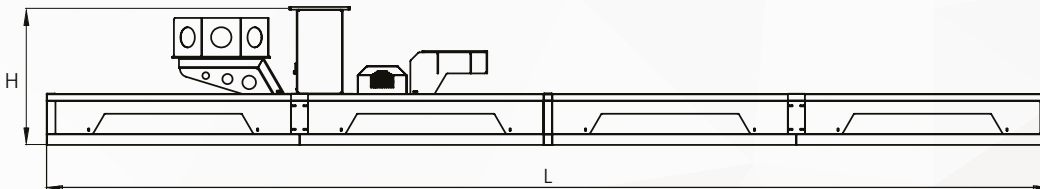
High precision synchronous robotic sliders are used for adding the 7'th axis to the robots.

They are able to increase the robot's accessibility with high precision.

TECHNICAL SPECIFICATIONS

Size	Capacity	One Module Length (mm)	Welding Machine Options	Welding Wire Drum Options	Drive Group Code	Linear Axis Stroke	Maximum Velocity (m/s)	Repeatability	Tech Pack Length	Tork
Small	500	3000	WM	WWD	OPTIONS	D-(Tech Pack Length)	0,9	±0,005	600	250
Medium	1000	3000	WM	WWD	OPTIONS	D-(Tech Pack Length)	0,6	±0,005	850	500
Large	3000	3000	WM	WWD	OPTIONS	D-(Tech Pack Length)	0,6	±0,005	1100	1500
Xlarge	7000	3000	WM	WWD	OPTIONS	D-(Tech Pack Length)	0,3	±0,005	1500	3000

Recommended Servo Motors: ABB, COMAU, FANUC, HYUNDAI, KAWASAKI, KUKA, **METALG**, NACHI, OTC, PANASONIC, STAUBLI, YASKAWA



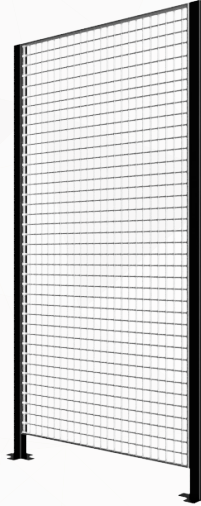
LIZARD MOTION OPTIONS



**AUTOMATIC
LUBRICATION**



**COLUMN
LIGHT**



FENCE



PANEL



FABRIC BELLOWS



**WELDING MACHINE
PLACEMENT TABLE**



**WELDING
DRUM HOLDER**

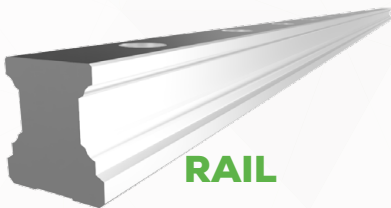


**ZERO
POSITION TOOL**



CONTROLLER

LIZARD MOTION SPARE PARTS



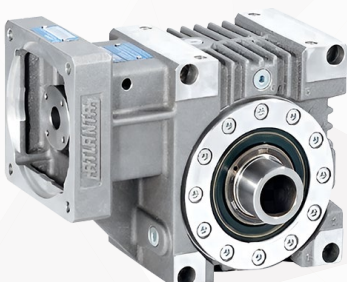
RAIL



RACK



PINION

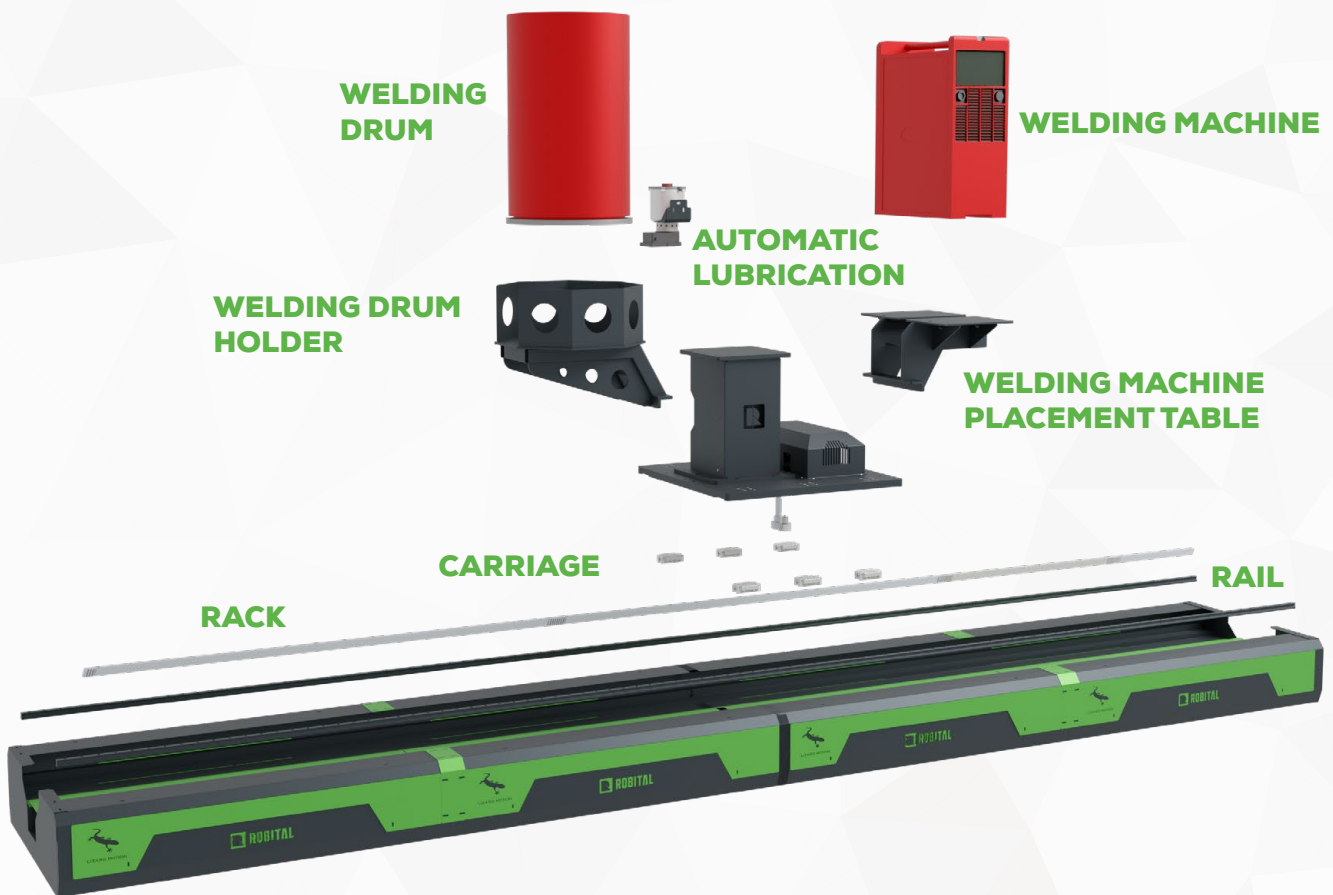


REDUCER

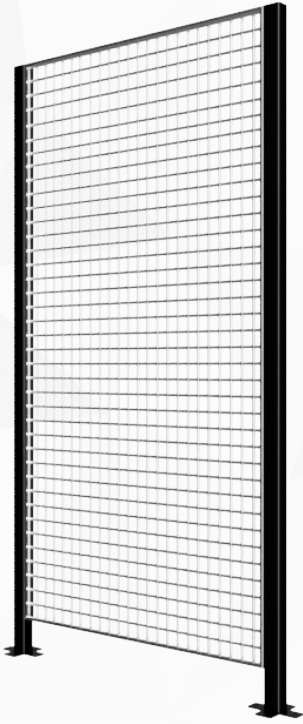


**BALL & ROLLER
RAIL CARRIER**

TECHNOLOGY PACKAGE



SAFETY BARRIERS



PANEL



FENCE



WELDING CURTAIN

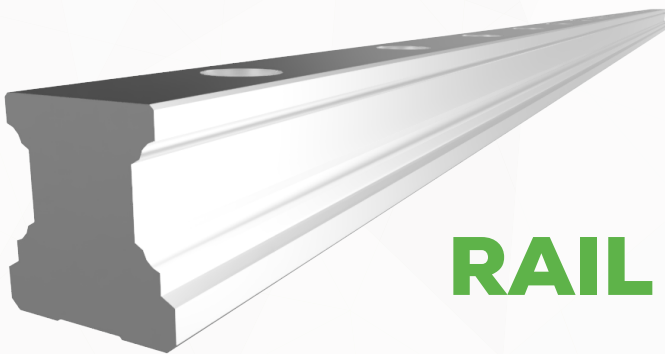
SPARE PARTS



RACK



PINION



RAIL



BEARING

INSTALLATION AND TRAINING SERVICES

Our products are user-friendly and provide ease of integration.

For our first-time customers, all units are delivered in fully operational condition, and training for installation and setup is provided free of charge.



AFTER SALES SUPPORT



7/24 Service Support



Spare Parts



Service



Remote Connection



After Sales Support



Training



Support by Phone



CAD Data Support



Documentation



Consulting Support for Fixturing and Positioning

PAYMENT

We offer the best payment options determined with you.



SHIPMENT & PACKAGING

At Robital, we offer flexible international shipping terms to accommodate your logistical requirements and preferences. Choose from the following options based on your location, transportation needs, and project timeline:

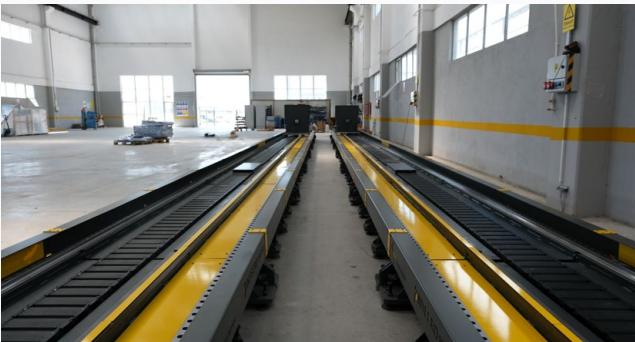
We offer a wide range of Incoterms options to suit your location, transportation method, and project timeline. Whether you require EXW, FOB, CIF, DDP, or any other Incoterms arrangement, we are fully equipped to accommodate your needs.

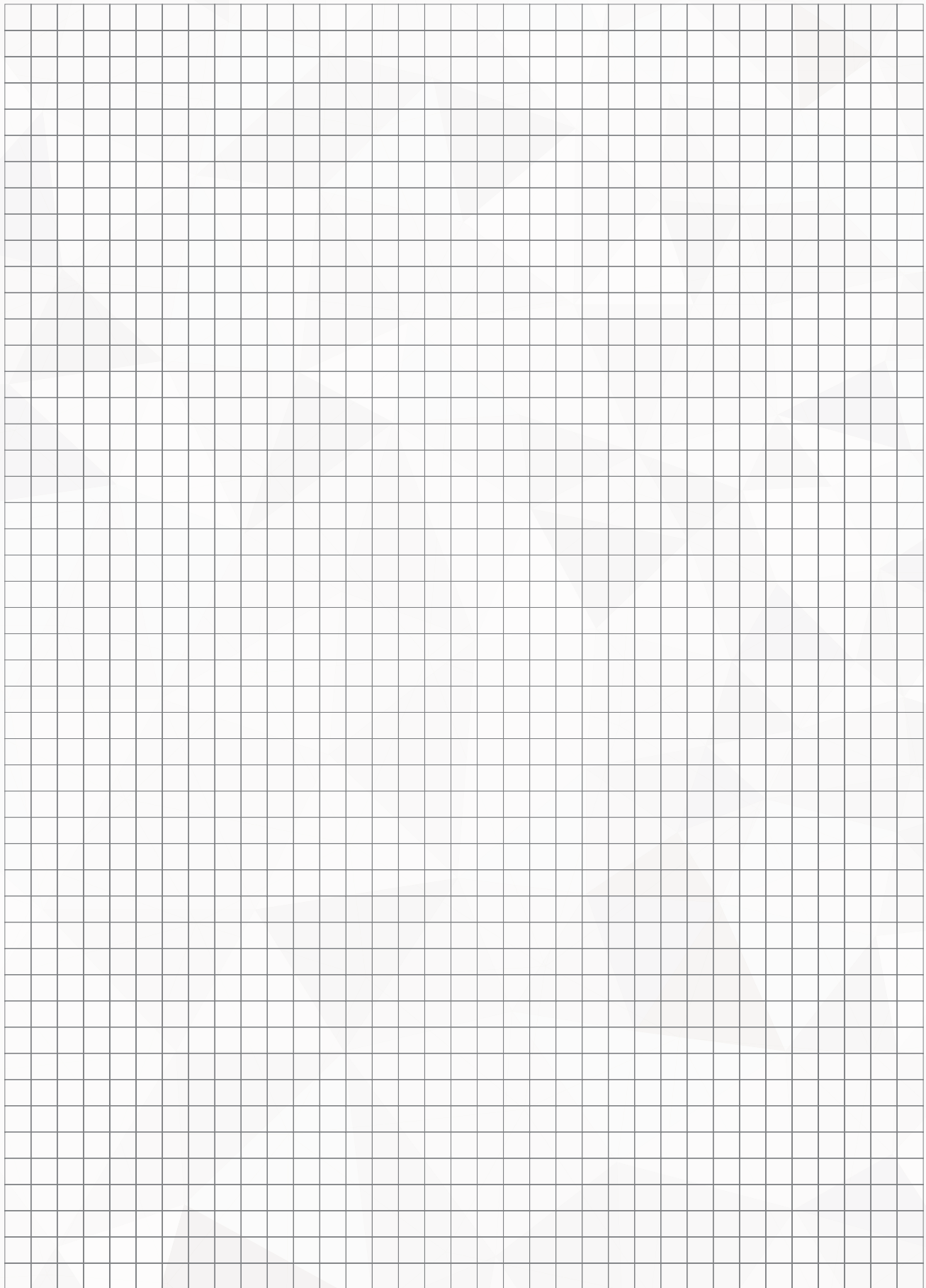
To ensure a smooth shipping process, we maintain a dedicated area for professional packaging operations. For overseas exports, we provide durable wooden crates and secure packaging designed to protect your products during transit. Our packaging solutions comply with international standards and are aimed at ensuring that your goods arrive in perfect condition.

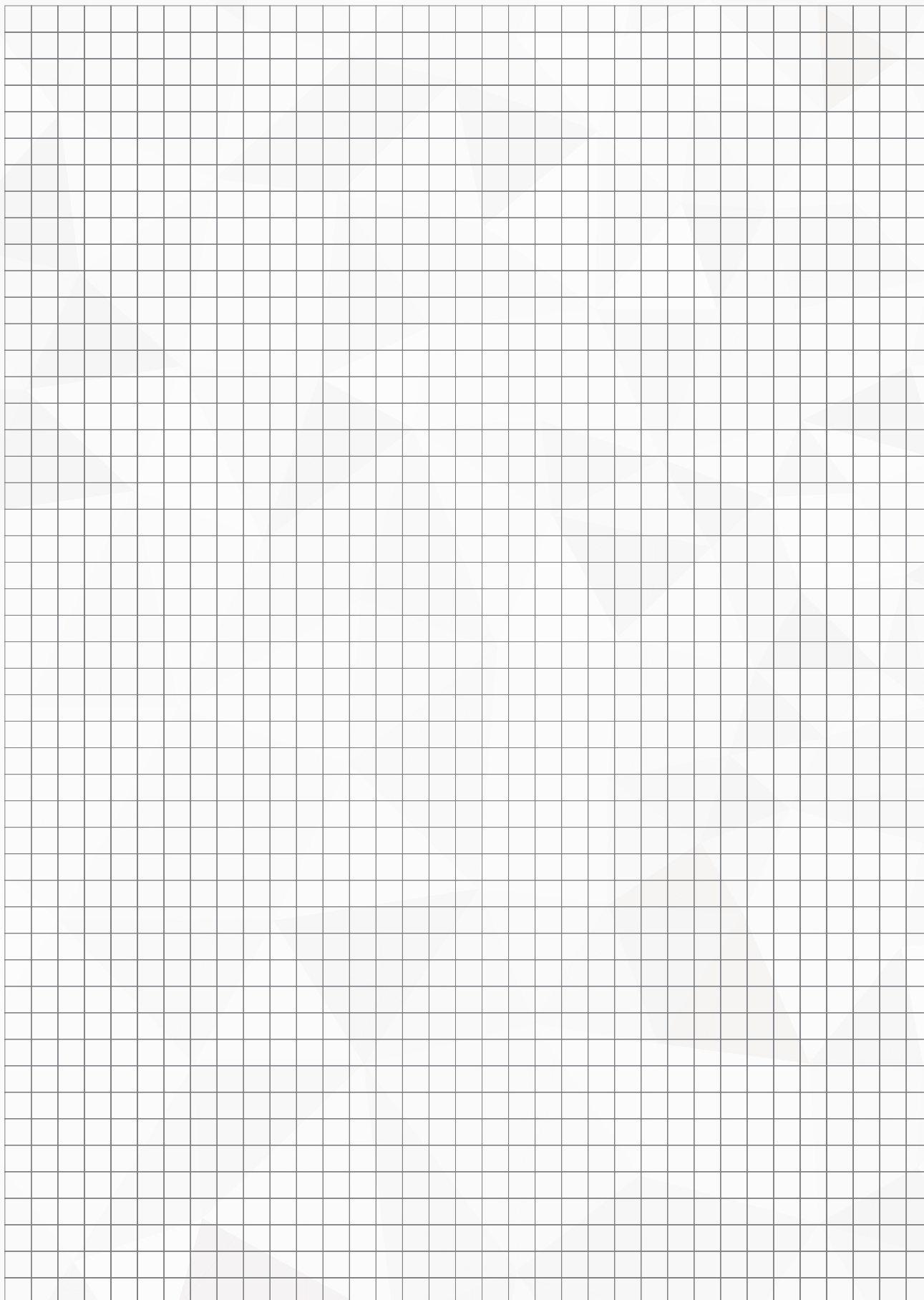
At Robital, we continuously invest in improving our logistics and packaging capabilities to maintain product quality and exceed our customers' expectations. Your satisfaction and the safe delivery of our products are our top priorities.



REFERENCES









ROBOTIC PERIPHERALS



+90 312 354 50 65
info@robital.com
robital.com

ANKARA EMI
MANUFACTURING FACILITY - ENGINEERING CAMPUS
Sarayosb Mh. Uzay ve Havacılık OSB No: 186GA/G2
Kahramankazan 06980 ANKARA